

HITEC 40th Anniversary



2013

Hitec Product Catalog



Radios / Servos / Receivers / Telemetry Systems
Chargers / Airplane Models and Accessories



HITEC



40th Anniversary

Join our celebration!

Since 1973, we have been engineering and developing the world's premium hobby products. Now in our 40th year, our commitment to our customers' unique needs remains stronger than ever. With our expansive collection of servos and all-encompassing line of radio control hobby products, we continue to bring quality and reliability to the market. It's what you deserve. It's what we deliver. It's what makes us Hitec. Here's to the next 40 years of hobby evolution.



HITEC 40th Anniversary

2013 Product Catalog

CONTENTS

- Page 4 – Aurora 9X
- Page 6 – Aurora 9
- Page 8 – Eclipse 7 Pro
- Page 10 – Optic 5 & Optic 6 Sport
- Page 12 – Aggressor 3DS and SRX Pro
- Page 14 – Transmitter Modules & Receivers
- Page 15 – Telemetry Monitoring Systems & Sensor Stations (Nitro, Blue)
- Page 16 – Telemetry System – Sensor Station (Advance) & Sensors
- Page 18 – Sky Scout
- Page 19 – Sky Scout Junior & Lite 4
- Page 20 – H4 Charger
- Page 22 – X1 80 / X2 400 / e Power Box 30A
- Page 23 – X4 AC Plus / CG-S52 / CG-S55 / LiPo Battery Checker
- Page 24 – Brushless Servos
- Page 25 – Ultra Response Servos
- Page 26 – Giant Scale Airplane Servo / Rudder Servo / Giant Servos
- Page 27 – Wing Servo / Waterproof Servo / Digital Servo Programmer
- Page 28 – Hitec Servo History
- Page 29 – Digital Servos (HV Ultra Premium / Premium)
- Page 30 – Digital Servos (Micro & Mini / Gyro & Tail)
- Page 31 – Digital Servos (Standard Sport / Giant Scale)
- Page 32 – Analog Servos (Micro & Mini)
- Page 33 – Analog Servos (Standard Sport / Premium Sport)
- Page 34 – Analog Servos (Giant Scale / Sail Boat)
- Page 35 – Servo Horns 46 Types
- Page 37 – Servo Horn & Hardware / Gear & Case Set / Extensions
- Page 39 – Accessories / Merchandise
- Page 41 – Servo Lineup chart
- Page 42 – Hitec Servo Technology History
- Page 43 – Hitec World Wide

AURORA 9X

Evolutionary Genius

Since its introduction in 2009, the Aurora 9 has impressed countless pilots with its many unique and innovative features. That trend continues with the updated and upgraded Aurora 9X. Featuring our evolutionary AFHSS technology, the Aurora 9X has a low latency 2.4GHz signal and ultra-smooth 4096 resolution. Other impressive features include dynamically assignable switches, technologically advanced programming and lightning responsive action. Its extensive telemetry monitoring system, touch screen interface, assignable switches and high precision quad-ball-bearing gimbals make the Aurora 9X the radio of choice for discriminating sport fliers and pro pilots alike.



Screen touch Pen included



Built in AFHSS 2.4GHz / SLT™ Module



Ultra Smooth Quad Ball-Bearing Gimbals



Easy Gimbal Mode Change / Tension Adjustment / Vibration Module

AURORA 9X



4096 Resolution



Fly any SLT protocol Tx-Ready models with the Aurora 9X. No additional modules or equipment required, just change the protocol in the program and you're ready to fly. For more information on Tx-Ready Models visit Tx-Ready.com

AURORA 9X

FEATURES

- Built in AFHSS 2.4GHz / SLT™ Module (Single/Bi Directional selectable)
- 4096 Resolution
- Improve Latency (Dual Processor 7ms Frame Time)
- Vibration mode
- Screen touch Pen included
- Easy to Read, Easy Accessible 5.1 Inch Wide Touch LCD with Backlight (320 x 80 Pixel)
- Customizable Menu
- One-Stop Model Type Setting
- 3 Multi-Tasking Digital Trims
- Fully Assignable Control Switch, Knob, Stick and Digital Trims
- Ultra Smooth Quad Ball-Bearing Gimbals
- Full-Sized Comfortable Hand Grip (Top Quality Elastomer)
- Selectable 4 Different Control Stick Mode (Plus, 2 Additional Manual Modes (Software))
- Super-Easy Gimbals Mode Change (Hardware) / Tension Adjustment
- Power Management System (Adjustable Backlight & Auto Shut-off Time)
- Digital Trim NANO-Adjuster (200 Adjustable Trim Steps)

Stock# 192240

2.4GHz Transmitter & 6ch Receiver Only Version Transmitter and 6channel MAXIMA 6 2.4GHz Receiver, With Rechargeable Transmitter Battery and AC Charger

Stock# 192245

2.4GHz Transmitter & 9ch Receiver Only Version Transmitter and 9channel MAXIMA 9 2.4GHz Receiver, With Rechargeable Transmitter Battery and AC Charger



AURORA SERIES FEATURE COMPARISON

	Features	
	AURORA 9X	AURORA 9
Modulation	AFHSS, SLT (Single/Bi directional)	AFHSS/PPM/QPCM
Resolution	4096	1024
2 Position Switch	1(Long type return) H ,3(Selectable) B,F,G	6(Selectable)
3 Position Switch	4(Selectable) A,C,D,E	2(Selectable)
Condition Monitor	Flight Condition & Function	Flight Condition
Flight Condition	8(Switch & Control Stick)	8(Switch Only)
Flight Condition copy	Yes	No
Programmable Mix	8(7-point mix)	8
Hardware Reverse (by Software)	Yes	No
Ftht Counter	Yes	No
Aux Channel Rename	Yes	No
Automatic Switch Assignment	Yes	No
Basic Functions		
Exponential	Yes (Max.24 Rates , Dual)	Yes (Max.24 Rates)
Servo Monitor	Yes(Travel & Limit)	Yes(Travel)
Airplane Functions		
Throttle Curve	Yes(7 Point movable),Delay,24 Rates	Yes(7-point) Max.24 Rates
Aileron to Rudder Mix	Yes(7-point)	Yes
Elevator to Camber Mix	Yes(7-point)Max.8 Rates , Adjustable	Yes(Max.8 Rates , Adjustable)
Rudder to Aileron Mix	Yes(7-point)Max.8 Rates , Adjustable	Yes(Max.8 Rates , Adjustable)
Knife Mix	Yes	No
Aileron to Flap Mix	Yes(7-point)	Yes
Flap Control	Yes(7-point)	Yes
Flap Trim	Yes	No
Spoiler Control	Yes (Max.8 Rates, Start/Return Delay)	Yes (Max.8 Rates, Start Delay)
Spoiler to Elevator Mix	Yes(7-point)	Yes
Camber Mix	Yes(7-point)	Yes
Glider Functions		
Motor Control	Yes (Throttle Stick control)	Yes(Speed/delay by toggle SW)
Spoiler Control	Yes (Max.8 Rates, Start/Return Delay)	Yes (Max.8 Rates, Start Delay)
Aileron->Rudder Mix	Yes(7 Point)	Yes (Max.8 Rates)
Rudder->Aileron Mix	Yes(7 Point)	Yes (Max.8 Rates)
Aileron to Flap Mix	Yes(7 Point)	Yes (Max.8 Rates)
Elevator->Camber Mix	Yes(7 Point)	Yes(Max.8 Rates , Adjustable)
Aileron->Flap Mix	Yes(7 Point)	Yes (Max.8 Rates)
Flap Control	Yes(7-point)	Yes
Butterfly Mix (Crow Mix)	Yes (Max.8 Rates, Start/Return Delay)	Yes (Max.8 Rates, Start Delay)
Spoiler to Elevator Ml	Yes(7 Point)	Yes
Camber Mix	Yes(7-Point)	Yes (Max.8 Rates, Start Delay)
Offset	Yes(New Offset Function)	Yes(Camber Mix Adjust Function)
Helicopter Functions		
Swash Ring	Yes	No
Revolution Mix	Yes (7 Point) Max.24 Rates	Yes (3 Point) Max.24 Rates
Pitch Curve	Yes(7 Point movable) Max.24 Rates	Yes(7 Point) Max.24 Rates
Throttle Curve	Yes(7 Point movable) Max.24 Rates	Yes(7 Point) Max.24 Rates
Hardware	Vibration mode SLT compatible	No No



5.1 inch Backlit
Touch Screen LCD



Hitec AFHS 2.4GHz



Ultra Smooth Quad
Ball-Bearing Gimbals



Super-Easy Gimbal Mode Change /
Tension Adjustment



AURORA 9

Since its introduction in 2009, the Aurora 9 has impressed countless pilots with its many unique and innovative features. Its extensive telemetry monitoring system, touch screen interface, assignable switches and high precision quad-ball-bearing gimbals make the Aurora 9 the radio of choice for discriminating sport fliers and pro pilots alike. Among its most remarkable attributes is the ability to evolve. At Hitec, we believe that our customers know best and that meeting their needs is instrumental to our success. Based on the valuable feedback from our dedicated worldwide user base, our engineers continue to develop innovative new programming features and make them readily available as simple firmware updates on our website. As you can see, your valued input is instrumental in helping us expand and evolve the capabilities of the popular Aurora 9. Thank you for your many great ideas. We look forward to our collaboration throughout 2013.

AURORA 9

9 CHANNEL 2.4GHz AIRCRAFT COMPUTER RADIO SYSTEM



FEATURES

- AFHSS 2.4GHz
- Easy to Read, Easy Accessible 5.1 Inch Wide Touch LCD with Backlight (320 x 80 Pixel)
- Customizable Menu
- One-Stop Model Type Setting
- 3 Multi-Tasking Digital Trims
- Fully Assignable Control Switch, Knob, Stick and Digital Trims
- Ultra Smooth Quad Ball-Bearing Gimbals
- Full-Sized Comfortable Hand Grip (Top Quality Elastomer)
- Selectable 4 Different Control Stick Mode (Plus, 2 Additional Manual Modes (Software))
- Super-Easy Gimbals Mode Change(Hardware) / Tension Adjustment
- Power Management System (Adjustable Backlight & Auto Shut-off Time)
- Digital Trim NANO-Adjuster (200 Adjustable Trim Steps) (Approx. 0.025deg ~ 5deg / Step)



Home Screen
Everything you need at your fingertips



Model Type Selection Screen
Choose from 3 types of model programming



Cockpit View Screen
In Cockpit View, you can see information in real time

Stock# 191246

2.4GHz Standard Version (w/ 7ch Receiver)
Transmitter, Four HS-5485HB Digital Servos and 7channel Optima 7 2.4GHz Receiver, With Rechargeable Transmitter & Receiver Batteries and AC Charger

Stock# 191244

2.4GHz Transmitter & 7ch Receiver Only Version
Transmitter and 7channel Optima 7 2.4GHz Receiver, With Rechargeable Transmitter Battery and AC Charger

Stock# 191240

2.4GHz Standard Version (w/ 9ch Receiver)
Transmitter, Four HS-5485HB Digital Servos and 9channel Optima 9 2.4GHz Receiver, With Rechargeable Transmitter & Receiver Batteries and AC Charger

Stock# 1912406

2.4GHz Premium Version (w/ 9ch Receiver)
Transmitter, Four HS-7965MG Digital Servos and 9channel Optima 9 2.4GHz Receiver, With Rechargeable Transmitter & Receiver Batteries and AC Charger

Stock# 191242

2.4GHz Transmitter & 9ch Receiver Only Version
Transmitter and 9channel Optima 9 2.4GHz Receiver, With Rechargeable Transmitter Battery and AC Charger

24R Extendable to Max. 24-Rates by 8-Flight Conditions & 3-Switch Positions

8R Extendable to Max. 8-Rates by 8-Flight Conditions

3R Extendable to Max. 3-Rates by 3-Switch Positions

ADVANCED GLIDER PROGRAMMING

- 9 wing Type (6 Main Wings, 3 Flying Wings)
- Five Tail Type (Main Wing: Normal, V-Tail, Ailelevator) (Flying Wing: 1 Servo Rudder, 2 Servo Rudders)
- Quick Model Options Select (Motor, Retracts Gear, Airbrake)
- Motor Control (Switch on/off) **8R**
- Airbrake
- Airbrake to Elevator Mix **8R**
- Aileron to Rudder Mix **8R**
- Elevator to Camber Mix **8R**
- Rudder to Aileron Mix **8R**
- Aileron Differential **24R**
- Aileron to Flap Mix **8R**
- Launch (Stick Position Auto Cut Function) **8R**
- Camber Mix **8R**
- Flap Control **24R**
- 3 x Gyro Sensitivity (ex: AILE/ELEV/RUDD) **24R**
- Butterfly **8R**
- V-Tail **8R**
- Delta Mix
- Ailelevator **8R**

ADVANCED ACRO PROGRAMMING

- 9 Wing Type (6 Main Wings, 3 Flying Wings)
- 5 Tail Type (Main Wing: Normal, V-Tail, Ailelevator) (Flying Wing: 1 Servo Rudder, 2 Servo Rudders)
- Quick Model Options Select (Dual Engine, Retracts gear, Airbrake, Fuel mixture)
- 7 Point Throttle Curve **24R**
- Throttle Cut
- Idle Down
- Fuel Mixture **24R**
- Airbrake
- Airbrake to Elevator Mix **8R**
- Aileron to Rudder Mix **8R**
- Elevator to Camber Mix **8R**
- Rudder to Aileron Mix **8R**
- Aileron Differential **24R**
- Aileron to Flap Mix **8R**
- Camber Mix **8R**
- Flap Control **24R**
- 3 x Gyro Sensitivity (ex: AILE/ELEV/RUDD) **24R**
- Snap-Roll (4-Way Switching Multi Direction) **8R**
- V-Tail **8R**
- Delta Mix **8R**
- Ailelevator **8R**

ADVANCED HELI PROGRAMMING

- 6 Swash Type
- 90° Type: 1 Servo, 3 Servos, 4 Servos
- 120° Type: 3 Servos
- 140° Type: 3 Servos
- 180° Type: 2 Servos
- Quick Model Options Select (Governor, Needle Control, Fuel Mixture)
- 7 Point Pitch Curve **24R**
- 7 Point Throttle Curve **24R**
- Throttle Cut
- Gyro Sensitivity **24R**
- Needle Control **24R**
- Swash to Throttle Mix **24R**
- Rudder to Throttle Mix **24R**
- Fuel Mixture **24R**
- Throttle Hold **8R**
- Swash Mix (Swash Rate/Calibration) **8R**
- Revolution Mix **24R**
- Governor (Three Rates) **24R**

STANDARD PROGRAMMING

- 9 Assignable Control Channels
- 3 Model Types (ACRO/GLID/HELI) Programming
- 30 Model Memories
- 20 Character model name
- 8 Flight Conditions with 10 Characters
- Fail-safe
- Channel Function
- EPA
- Dual Rate & EXP **24R**
- Sub-Trim
- Servo Reverse
- Servo Speed (Up to 25 sec in Each Direction) **24R**
- Servo Monitor (Monitor & Servo Test)
- 8 Programmable Mixes
- (5 x 2-Point , 3 x 7-Point Curves) **8R**
- Trainer



Built-in Hitec AFHSS
2.4GHz System



Highly Sensitive
8 Ball-Bearing Gimbals



Telemetry Data Display
on Backlit LCD Screen



High Intensity LED Indicator
for Module & System Status



Back-mounted Sliders
for Easy Access

ECLIPSE 7 PRO

A longtime favorite among Hitec customers has returned with a face lift and numerous upgraded features. The Eclipse 7 Pro has a high intensity white backlit LCD screen, ergonomically positioned, back panel slider, ultra-smooth quad-ball bearing gimbals, intuitive control switches, built-in telemetry and a one-way AFHSS 2.4GHz system. It offers specific programming for fixed wing, glow, gas or electric planes, helicopters and sailplanes. With 16-model maximum storage and an array of telemetric functions including sensor monitoring and on-board receiver low battery warning, the Eclipse 7 Pro is your next feature-packed radio



HITEC 40th Anniversary

ECLIPSE 7 PRO

2.4GHz

2.4GHz 7 Channel Digital Radio Control System



FEATURES

- 7Channel 2.4GHz Telemetric System
- 3 Model Types(ACRO/GLID/HELI) Programming
- 16 Model Memory
- Highly Sensitive 8 Ball-Bearing Gimbals
- Easy to Read LCD with Backlight
- Back-mounted Sliders for Easy Access
- Range Check Mode
- Auto-Assign Control Switch
- Sensor Monitoring and RX Low Battery Warning
- Stick Mode Change
- Digital Trims
- 7 Character Model Naming
- Three Conditional Mixes per Model Memory
- Model Copy
- Sub Trims
- Low TX Battery Warning
- Two Types Flight timer and Alarm
- End Point Adjustments for All Channels
- Five Programmable Mixes
- All Channel Servo Reversing
- Dual Rates on Channel 1,2 and 4
- Exponential Rates on Channels 1,2 and 4
- Data Reset to Defaults
- Throttle Cut Switch
- Auto Engine Cut Switch
- Engine Hold
- Trainer

ACRO PROGRAMMING

- Landing Mix
- Flap Trim Adjust
- Aileron to Rudder Mix
- Elevator to Flap Mix
- Flap to Elevator Mix
- Elevon Mix
- V-Tail Mix
- Ailvator Mix
- Flaperon Mix
- Aileron Differential
- Snap-Roll

HELI PROGRAMMING

- Throttle Cut
- Rudder to Throttle Mix
- 2 Idle-up .1 Throttle Hold
- 5 Point Throttle Curve
- 5 Point Pitch Curve
- Gyro Gain Adjust
- Revolution Mix
- Hovering Pitch Knob
- Hovering Throttle Knob
- Engine Lock Switch
- 4 Swash Type (90°, 120°, 140°, 180°)

GLIDER PROGRAMMING

- 2 servo Wing Mode
- Camber Mix
- Aileron Differential
- V-Tail Mix
- Elevator to Flap Mix
- Aileron to Rudder Mix
- Flap to Aileron Coupling
- Flap to Elevator Coupling
- Flap to Aileron Trim
- 4 servo Wing Mode
- Same as Above Plus:
- Crow Mix
- Aileron to Dual Flap Trim
- Aileron to Dual Coupling
- Dual Flap to Aileron Trim
- Aileron to Flap Coupling

4 SERVO WING MODE

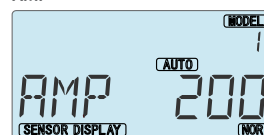
- Same as Above Plus:
- Crow Mix
- Aileron-Dual Flap Trim
- Aileron-Dual Flap Coupling
- Dual Flap-Aileron Trim
- Aileron-Flap Coupling

Telemetry System Display

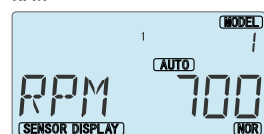
VOLT



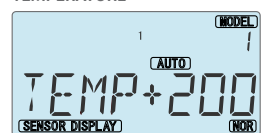
AMP



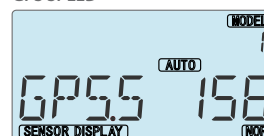
RPM



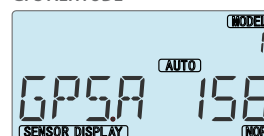
TEMPERATURE



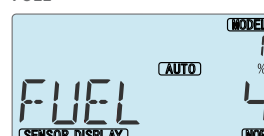
GPS SPEED



GPS ALTITUDE



FUEL



Stock# 173240

2.4GHz Transmitter & 7CH Receiver Only Version
Transmitter and 7channel Optima 7 2.4GHz Receiver,
With Rechargeable Transmitter Battery and AC Charger

Stock# 173242

2.4GHz Standard Version (w/ 7CH Receiver)
Transmitter, Four HS-5485HB Digital Servos and
7channel Optima 7 2.4GHz Receiver,
With Rechargeable Transmitter &
Receiver Batteries and AC Charger

Stock# 173241

2.4GHz Transmitter & two 7CH Receiver Only Version
Transmitter and two 7channel Optima 7 2.4GHz Receiver,
With Rechargeable Transmitter Battery and AC Charger

OPTIC 5

With built-in AFHSS 2.4GHz technology, pre-programmed mixes and simple-to-use "plug and fly" link system, the Optic 5 is Hitec's most affordable and easy to use radio. Its straightforward features and basic design make it the ultimate transmitter for beginner pilots.



OPTIC 6 SPORT

Featuring Hitec's AFHSS 2.4GHz pure digital technology and 10-model memory, the Optic 6 Sport is the perfect match for entry to mid-class fliers. Its sophisticated yet easy-to-use programming is beyond any radio in its class. With three different configurations to choose from, there is an Optic 6 Sport system that is perfect to outfit your favorite glow and electric planes, gliders or helicopters.

6CH 2.4GHz DIGITAL COMPUTER RADIO SYSTEM OPTIC 6 SPORT 2.4



STANDARD PROGRAMMING

- 10 Model Memory
- Throttle Cut or Trainer
- Three Flight Condition
- Exponential (ch1,2&4)
- Dual Rates (ch1,2&4)
- Mode Change (Mode1/2)
- EPA-Servo Reverse
- Sub Trim / -Data Reset
- Model Select / -Shift Select
- One P-Mix / -Timer

HELI PROGRAMMING

- Swash Select
- Rudder-Throttle Mix (120°CCPM / 90°Mechanical)
- 5 Point Throttle Curve
- 5 Point Pitch Curve
- Throttle Hold
- Revo Mix
- Gyro Gain
- 1 Nor and 2 Idle-ups

GLIDE PROGRAMMING

- Aileron Differential
- V-Tail Mix
- Aileron-Rudder Mix
- Elevator-Flap Mix
- Crow Mix
- Camber or Reflex
- Throttle Location

ACRO PROGRAMMING

- Flaperon Mix
- Elevon Mix
- V-Tail Mix
- Aileron-Rudder Mix
- Elevator-Flap Mix
- Camber or Reflex



Built-in Hitec AFHSS 2.4GHz System



Smooth and Precise 4 Ball Bearings Gimbals



Function Assignable Switches



Easy to Read LCD Screen

Stock# 159240 : TX & RX Only Version
Transmitter, OPTIMA 6 Receiver,
With Rechargeable Transmitter Battery and AC Charger

Stock# 159241 : TX & Two RX Version
Transmitter, Two OPTIMA 6 Receivers,
With Rechargeable Transmitter Battery and AC Charger

Stock# 159242 : Standard Version
Transmitter, Four HS-325HB Ball Bearing Servos and
OPTIMA 6 Receiver, With Rechargeable Transmitter &
Receiver Batteries and AC Charger

Stock# 159243 : Electric Standard Version
Transmitter, Three HS-81 Servos, OPTIMA 6 Receiver,
With Rechargeable Transmitter Battery and AC Charger

Stock# 159244 : Electric Micro Version
Transmitter, Three HS-55 Feather Servos,
OPTIMA 6 Receiver,
With Rechargeable Transmitter Battery and AC Charger

OPTIC 5 2.4

5CH 2.4GHz AIRCRAFT RADIO CONTROL SYSTEM

FEATURES

- AFHSS 2.4GHz 5-Channel Aircraft Radio
- 1024 Resolution
- High Precision Quad Ball Bearing Gimbals
- Digital Trim with Beep Sound
- All Channel Servo Reversing
- 5th Channel AUX Switch for Retracts or Engine Cut
- Elevon Mixing (Ch.1 & 2)
- V-Tail Mixing (Ch.2 & 4)
- ATV on Channels 1 & 2
- Trainer Function (Slave Only)



Built-in Hitec AFHSS 2.4GHz System



Smooth and Precise 4 Ball Bearings Gimbals



5 Ch AUX Switch for Retracts or Engine Cut



ATV and V-tail, Elevon Mixing,

Stock# 160240
Optic 5 2.4GHz Transmitter and Receiver Combo
Transmitter and Minima 6T Receiver

Stock# 160241
Optic 5 2.4GHz Transmitter and Receiver Combo
Transmitter and Minima 6E Receiver



AGGRESSOR 3DS

Hitec's affordable, entry-level Direct Sequence Spread Spectrum 2.4GHz radio, the Aggressor 3DS, provides the dependability and precision your car, truck and boat require. Loaded with features such as Dual Rate Steering, Servo Reverse, Throttle/Steering End Point Adjustments, and 3rd Channel that can be used for shifting, it is the perfect choice for beginner racers and bashers.



Our Aggressor SRX Pro three-channel pistol grip computer radio system is a great upgrade from the stock radio systems available with most RTR packages. Easy to install, the SRX utilizes our 2.4GHz Direct Sequence Spread Spectrum technology for a "rock solid" signal. With ten-model memory and four-character model naming, the SRX Pro is the only radio you need for your whole fleet of cars, trucks, buggies and boats.

AGGRESSOR SRX PRO

DIRECT SEQUENCE SPREAD SPECTRUM TECHNOLOGY

2.4GHz DSSS System

Hitec is proud to introduce our DSSS (Direct Sequence Spread Spectrum) 2.4GHz System for Hitec Module based surface system radios. For our surface system we chose the DSSS technology to keep the conversion simple and easy, as well as to lower the conversion cost while providing a rock solid link between a transmitter and a receiver. The Spectra 2.4DS and world's smallest sized Atom 3 receiver package is capable of converting existing module based radios to the latest spread spectrum technology.



Spectra 2.4DS & Atom 3 Combo

Stock#29524
Spectra 2.4DS &
1 x Atom 3 3ch surface receiver Combo

Stock#29534
Spectra 2.4DS &
2 x Atom 3 3ch surface receivers Combo

Stock#29328
2 x Atom 3 3ch surface receivers Combo

Spectra 2.4DS
2.4GHz DSSS Module
Stock# 28724

Atom 3
3 Channel 2.4GHz Receiver
Dimension : 31.2x 19.0 x 11.98
Weight : 6.8g
Stock# 29324



2.4GHz SURFACE RADIO CONTROL SYSTEM AGGRESSOR 3DS

FEATURES

- Hitec 2.4GHz DSSS System
- Servo Reversing (Ch1 & 2)
- EPA (End Point Adjustment) for Steering and Throttle
- Dual Rate Steering (Adjustable on the Fly)
- 3rd Channel Push Button for Shifting
- 3 LED battery Status Indicators
- Audible Power Indicator
- Interchangeable Rubber Grip Pads in Two Sizes
- Optional Assorted Colored Grip Pads and Tuning Cover for Personalization
- Foam Steering Wheel for Comfortable Control
- Charging Jack for Optional Rechargeable Batteries

Available Models

Stock# 126241 : Standard Version
Transmitter, Atom 3 Receiver, 1 x HS-325HB Servo
* Batteries and Chargers are excluded

Stock# 126240 : Transmitter & Receiver Only Version
Transmitter, Atom 3 Receiver Only
* Batteries, Chargers, and Servos are excluded

Stock# 126242 : Transmitter & Two Receivers Version
Transmitter, 2 x Atom 3 Receivers
* Batteries, Chargers, and Servos are excluded

3 CHANNEL COMPUTER RADIO CONTROL SYSTEM AGGRESSOR SRXPRO

FEATURES

- Hitec 2.4GHz DSSS System
- 2- Speed Menu Scrolling
- Shift or Linear Dual-Mode 3rd Channel
- 7ms High Response Mode (14ms Normal)
- Progressive Spring Steering Brake Lever Travel Limiter
- Steering Wheel Tension Adjust
- Transmitter Battery Charging Jack
- 3-Channel DSSS Micro Receiver 10-Model Memory
- 4-Character Model Naming
- Brake ATL Switch

PROGRAMMABLE FEATURES

- Adjustable Steering, Brake & Acceleration Rates
- Steering and Throttle Exponential Rates
- Sub Trims for Quick & Easy Set-Up
- Dual Rate Steering
- End Point Adjustments
- Servo Reversing
- Idle Up
- Timer

Stock# 130249 : Standard Version
Aggressor SRX Transmitter,
Spectra 2.4DS Module,
Atom 3 Receiver, 1 x HS-325HB Servo,
W/O Batteries or Charger

Stock# 130242 : Transmitter & Receiver Only
Aggressor SRX Transmitter, Spectra 2.4DS Module,
and Atom 3 Receiver W/O Batteries or Charger

Stock# 130245 : Transmitter & Two Receiver Only
Aggressor SRX Transmitter, Spectra 2.4DS Module,
and Two Atom 3 Receivers W/O Batteries or Charger



AFHSS 2.4GHz Transmitter Modules & Receivers

Since 1983, Hitec has been providing hobbyists with the latest technology at an affordable price. That mission continues today with our advanced 2.4GHz Adaptive Frequency Hopping Spread Spectrum technology.

SPECTRA 2.4

- AFHSS 2.4GHz Telemetry Module**
- All Hitec Module Type Transmitters and Futaba 9C / 9Z Series Compatible
 - Versatile Telemetric Data Port (w/ Optional Sensors)
 - Scan Function Selectable
 - Size : 37.5 X 59 X 22.4mm
- Stock# 28315**



SPECTRA 2.4J

- AFHSS 2.4GHz Telemetry Module**
- JR Type Transmitter Compatible
 - Versatile Telemetric Data Port (w/ Optional Sensors)
 - Scan Function Selectable
 - Size : 63.4 X 48.5 X 26mm
- Stock# 29537**



OPTIMA 6

- Full Range AFHSS 2.4GHz 6ch Receiver**
- BODA (Boosted Omni-Directional Antenna) Applied
 - Supplementary Power Connection (SPC)
 - Fail-Safe / Hold Function
 - Size : 46.15 X 21.42 X 11.1mm
 - Weight : 15g
- Stock# 28410**



OPTIMA 6 LITE

- Full Range AFHSS 2.4GHz 6ch Light Weight Receiver**
- BODA (Boosted Omni-Directional Antenna) Applied
 - Supplementary Power Connection (SPC)
 - Fail-Safe / Hold Function
 - Size : 44.9 X 18.4 X 7.4mm
 - Weight : 9.4g
- Stock# 29438**



OPTIMA 7

- Full Range AFHSS 2.4GHz 7ch Receiver**
- Telemetry Capabilities
 - BODA (Boosted Omni-Directional Antenna) Applied
 - Supplementary Power Connection (SPC)
 - Fail-Safe / Hold Function
 - Size : 57 x 21 x 11.4mm
 - Weight : 17g
- Stock# 28414**



OPTIMA 9

- Full Range AFHSS 2.4GHz 9ch Receiver**
- Telemetry Capabilities
 - Dual-BODA Applied for Diversity & Added Security
 - Supplementary Power Connection (SPC)
 - Fail-Safe / Hold Function
 - Size : 47.95 X 28.5 X 15.35mm
 - Weight : 22g
- Stock# 28425**



MINIMA 6T

- Full Range 2.4GHz 6CH Micro Receiver.**
- Dual M-BODA (Dual Mini Boosted Omni-Directional Antenna) Diversity.
 - Fail-Safe / Hold Function
 - Wide Operating Voltage: 4.8 - 8.4 volts
 - Dimensions : 30.4 x 20.8 x 7.11 mm
 - Weight : 6.5 g
- Stock# 26610**



MINIMA 6E

- Full Range 2.4 GHz 6CH Micro Receiver.**
- Dual M-BODA (Dual Mini Boosted Omni-Directional Antenna) Diversity.
 - Fail-Safe / Hold Function
 - Wide Operating Voltage: 4.8 - 8.4 volts
 - Dimensions : 31.7 x 20.8 x 10.9 mm
 - Weight: 6.5 g
- Stock# 26612**



MINIMA 6L

- Lightweight Version of the 6-Channel Receiver**
- Dual Antennas (Non-BODA)
 - Lightest Hitec 2.4GHz Receiver with Lexan Case
 - Low Current Consumption / Fail-Safe / Hold Function
 - Perfect for Indoor Use
 - Wide Operation Voltage : 4.8 - 8.4 volts
 - Dimensions : 31.7 x 20.8 x 10.9 mm
 - Weight : 4g
- Stock# 26614**



MINIMA 6S

- Park Flyer Version of the 6-Channel Receiver**
- Dual Antennas (Non-BODA)
 - Lowest cost 2.4GHz Receiver
 - Low Current Consumption / Hold Function
 - Ideal for Small Park Flyers
 - Wider Operation Voltage : 4.8 - 8.4 volts
 - Dimensions : 31.7 x 20.8 x 10.9 mm
 - Weight : 6.5g
- Stock# 26615**



MAXIMA 6

- High response Full range 2.4GHz 6CH Micro Receiver**
- Dual M-BODA (Dual Mini Boosted Omni-Directional Antenna) Diversity
 - Only compatible with Aurora 9X transmitter
 - Only Digital servo required
 - Fail Safe / Hold Function
 - Wider Operation Voltage : 3.7 - 9.0 volts
 - Dimensions : 33 x 20.8 x 10.7 mm
 - Weight : 6.4g
- Stock# 27524**



MAXIMA 9

- High response Full range 2.4GHz 9CH Micro Receiver**
- Dual Antennas (Non-BODA)
 - Only compatible with Aurora 9X transmitter
 - Only Digital servo required
 - Fail Safe / Hold Function
 - Wider Operation Voltage : 3.7 - 9.0 volts
 - Dimensions : 37 x 24.4 x 14.6 mm
 - Weight : 8.1g
- Stock# 27525**



Get a Combo Pack at a More Attractive Price!

6CH 2.4GHz Combo A : Stock# 29411

Optima 6 Receiver + SPECTRA 2.4 Module

6CH 2.4GHz Combo B : Stock# 29422

2 X Optima 6 Receivers+ SPECTRA 2.4 Module

7CH 2.4GHz Combo A : Stock# 29412

Optima 7 Receiver + SPECTRA 2.4 Module

7CH 2.4GHz Combo B : Stock# 29424

2 X Optima 7 Receivers+ SPECTRA 2.4 Module

9CH 2.4GHz Combo A : Stock# 29415

Optima 9 Receiver + SPECTRA 2.4 Module

9CH 2.4GHz Combo B : Stock# 29430

2 X Optima 9 Receivers + SPECTRA 2.4 Module

Optima Triple Combo

Optima 6 Triple Combo : **Stock # 29431**

Optima 7 Triple Combo : **Stock # 29432**

Optima 9 Triple Combo : **Stock # 29433**

Telemetry Monitoring Systems

HPP-22 Interface

The HPP-22 is the perfect companion to the Hitec 2.4GHz system and our 2.4GHz family of radios. The versatile HPP-22 can be used to program your radio, Spectra 2.4 module or Optima series of receivers. Other features allow you to save the setup data to your PC and update the software and firmware of various Hitec Products.

Stock# 44470



HTS-NAVI

The HTS-NAVI allows you to wirelessly transmit data back to your PC. You can display essential telemetry information on your PC without the need for cables.

Stock# 29701



HTS-VOICE

The HTS-VOICE is Hitec's revolutionary voice-announcement system. Via speakers or earphones, it will read out the current status of your model while you are flying. Customize your HTS-VOICE to hear only the data you want to hear using the HPP-22 PC Program.

Stock# 55841



HTS-iVIEW

The World of Telemetry on Your Apple® Mobile Device

Take advantage of the ever-changing world of communication technology with the latest from Hitec! Our HTS-iView seamlessly integrates advancements in portable computing with the world of radio control, bringing real-time telemetry data to your Apple® devices. Now your model's GPS, speed, temperature, fuel, RPM, current, voltage, wattage and receiver battery levels are just a finger touch away.

Features

- Telemetry Data Display, both General and Detailed
- GPS : Speed, Altitude, Distance, Longitude, Latitude / Temperatures / RPMs / Fuel gauge, Low battery / Battery Current / Battery Voltage
- Save Telemetry Data to Replay Later
- User Settable Audible Warnings
- Google Maps GPS Link
- Synchronizes with the HTS-VOICE Telemetry Voice Announcing System (sold separately)



Made for
 iPod iPhone iPad



HTS-iView
 Stock# 55862

Telemetry System Stations & Sensors

HTS-SS NITRO

Sensor Station for Nitro Models:

The HTS-SS NITRO is a control box between all telemetry sensors and the receiver. It is equipped with 8 sensor ports (4 Temp, 2 RPM, 1 GPS and 1 Fuel Gauge) along with 1 data port for a telemetric Optima 7 or Optima 9 receiver.

Stock# 55832



HTS-SS BLUE

Sensor Station for Electric Models

The HTS-SS BLUE collects all data from each sensor of your electric-powered aircraft, sending it back to your transmitter via the Optima 7 or Optima 9 omni-directional receivers.

Stock# 55849



Stock #55830: HTS-SS NITRO FULL COMBO
 1 x Sensor Station, 1 x ORPM, 1 x MRPM,
 4 x TEMP, 1 x GPS, and 1 x FUEL

Stock #55831: HTS-SS NITRO Optical RPM COMBO
 1 x Sensor Station, 1 x ORPM, and 2 x TEMP

Stock #55845: HTS-SS NITRO Magnetic RPM COMBO
 1 x Sensor Station, 1 x MRPM, and 2 x TEMP

Stock #55846: HTS-SS BLUE FULL COMBO
 1 x Sensor Station, 1 x ORPM, 1 x MRPM,
 4 x TEMP, 1 x GPS, 1 x C50, 1 x C200, and 1 x VOLT

Stock #55847: HTS-SS BLUE C50 COMBO
 1 x Sensor Station, 3 x TEMP, 1 x C50, and 1 x VOLT

Stock #55848: HTS-SS BLUE C200 COMBO
 1 x Sensor Station, 3 x TEMP, 1 x C200, and 1 x VOLT

Telemetry System Stations & Sensors



2013
NEW



HTS-SS ADVANCE

Advanced Sensor Station for all Types of Models

HiTec's new HTS-SS ADVANCE sensor module delivers on its name by providing more advanced telemetry capabilities than any other RC telemetry system. Compatible with our existing line of sensors, the HTS-ADVANCE also provides engine temperature via the HTS-E TEMP sensor, air speed via the HTS-AS sensor, sensitive rate-of-climb tracking via the HTS-VM sensor and servo performance via the HTS-SM sensor. This leading-edge telemetry module provides the most reliable and comprehensive communication with your model yet.

Stock #55852: HTS-SS ADVANCE FULL COMBO

1 x Sensor Station, 1 x ORPM, 1 x MRPM, 4 x Temp, 1 x GPS, 1 x SM, 1 x VM, 1 x AS, 1 x Fuel, 1 x ETemp, 1 x C50, 1 x C200, and 1 x VOLT

Stock #55856: HTS-SS ADVANCE UPGRADE COMBO

1 x Sensor Station, 1 x VM, 1 x AS, 1 x SM, and 1 x ETemp

Stock #55858: HTS-SS ADVANCE GLIDER COMBO

1 x Sensor Station, 2 x Temp, 1 x VM, 1 x AS, 1 x GPS, and 1 x SM

TELEMETRY SENSOR

HTS-AS
(Air Speed Sensor)

Stock# 55854

2013
NEW



HTS-SM
(Servo Manager)

Stock# 55859

2013
NEW



HTS-VM
(Variometer Sensor)

Stock# 55860

2013
NEW



HTS-E Temp
(Engine Temperature Sensor)

Stock# 55861

2013
NEW



HTS-VOLT
(Voltage Sensors)

Stock# 55851



HTS-C50/C200
(Current Sensors)

Stock# 55855

(C200)

Stock# 55850

(C50)



HTS-GPS
(GPS Sensor)

Stock# 55836



HTS-FUEL
(Fuel Level Sensor)

Stock# 55835



HTS-TEMP
(Temperature Sensor)

Stock# 55834



HTS-M RPM
(Magnetic RPM Sensor)

Stock# 55842



HTS-O RPM
(Optical RPM Sensor)

Stock# 55833



1 HTS-RPM (RPM Sensor)



M-RPM (Magnetic RPM Sensor) :

This sensor accurately measures RPM on all propeller-driven aircraft.

- Distance measurement : 1mm
- Measurement Range : 0~70000rpm



O-RPM (Optical RPM Sensor) :

Our on-board optical RPM sensor for any RC application, optimized for easy helicopter installation.

- Distance measurement : 15cm
- Measurement Range : 0~50000rpm

Our Hitec Telemetry System RPM sensors allow you to monitor and optimize the performance of your power system.

2 HTS-E TEMP (Engine Temperature Sensor)



Our engine temperature sensor fastens directly on the engine of your aircraft to reliably provide you with accurate, up-to-date information to keep your engine safe and sound. It measures a temperature range from -40°C to 200°C (-40°F to 392°F) and has 15 sec thermal time constant.

3 HTS-GPS (GPS Sensor)



Our exclusive omni-directional, cubic GPS antenna ensures solid reception regardless of orientation at a 0.50 second refresh rate. By monitoring altitude, latitude and longitude, it provides accurate information regarding your model's speed, directory and trajectory. The HTS-GPS is the best option for your R/C aircraft.

4 HTS-VM (Variometer Sensor)



Our HTS-VM sensor precisely and sensitively tracks your altitude and rate of climb and descent, providing invaluable performance data for all fliers. This is a must-have sensor for sailplane pilots. With its accurate measurement resolution(1m), HTS-VM has a measurement range from 0 to 2,000m.

5 HTS-AS (Air Speed Sensor)



This sensor accurately monitors true airspeed of your model based on the static and dynamic air pressure differential, just as in a full-scale aircraft.

6 HTS-C50/C200 (Current Sensors)



The HTS-C50 and C200 current sensors accurately measure the current of your electric R/C models, regardless of size. Two optional sensors allow you to choose the one most suitable for your model's performance. The C50 sensor is designed to sensitively monitor low and moderate current applications up to 50 amps in 0.1Amp increments. The C200 monitors high current applications up to 200 amps in 1Amp increments. These small sensors are incredibly accurate, performing on par, if not above, industrial grade current sensors.

7 HTS-VOLT (Voltage Sensor)



The HTS-Volt includes a T-connector that can be installed virtually anywhere to measure the voltage status of your model's battery. While our basic telemetry function already monitors the receiver battery status, this additional voltage meter will measure up to 100 volts, making it useful for all electric-powered models.

8 HTS-SM (Servo Manager)



You can track the on-board current usage of your servos up to 10 amps in 0.1-amp increments with our specialized Servo Manager. This information is helpful in determining the optimal servo, linkage and battery set-up.

9 HTS-FUEL (Fuel Level Sensor)



Checking the fuel level of your nitro-powered aircraft has never been so simple. No modification to the tank is needed, simply attach the self-adhesive sensor to the outer wall of your fuel tank and plug the connector to your HTS-SS sensor station. When flying with your Aurora 9 transmitter, you can monitor your on-board fuel level from the ground.

10 HTS-TEMP (Temperature Sensor)



The HTS-TEMP sensor has a specially designed silicone tube and measures a temperature range from -40°C to 200°C (-40°F to 392°F). Monitor the in-flight temperature of your engine, muffler, battery and ESC to detect any abnormalities as soon as possible.

Sky Scout



Brushless Power with Folding Prop

FEATURES

- Pre-Assembled Model Made of Durable Elapor® Foam
- Protected Top Mounted Motor
- Basic Rudder, Elevator and Motor Control
- Powerful Outrunner Motor
- Gentle Gliding Characteristics
- Easy to Transport
- Optional Ailerons

SPECIFICATIONS

- Wingspan: 1366 mm.
- Weight: (All-up weight min. 700 g)
- Length: 977 mm
- Wing Area: 28 dm² (wing + tail plane, excl. fuselage)
- Wing Loading: 25 g/dm²

Stock# 13207: Sky Scout R2GO

Includes Pre-Installed:
Hitec Lite 4 2.4GHz 4-Channel Radio
(w/ 4 AA Alkaline Batteries)
Minima 6S Receiver
HS-55 Servos
C2812-1100 Brushless Outrunner Motor
18 amp ESC
3S 1300mAh LiPo
DC Balancing Charger

Stock# 13209: Sky Scout H2GO

Includes Pre-Installed:
Minima 6S Receiver
HS-55 Servos
C2812-1100 Brushless Outrunner Motor
18 amp ESC
3S 1300mAh LiPo
DC Balancing Charger

Stock# 13210: Sky Scout P2GO

Includes Pre-Installed:
HS-55 Servos
C2812-1100 Brushless Outrunner Motor
18 amp ESC

Stock# 13211: Sky Scout Kit



Hitec Lite 4 TX & Minima 6S
4 Channel 2.4GHz Radio &
6 Channel 2.4GHz Receiver

Sky Scout & Sky Scout Jr.

Take to the heavens with our spunky explorer, the Sky Scout series. Made with Multiplex's steadfast Elapor® foam and equipped with a powerful motor, this stout little pusher plane is perfect for the beginner pilot looking for adventure. Available in Hitec's three, new pre-built versions, the Sky Scout series will have you flying high sooner than you can say Hitec!



READY TO GO!
Pre-assembled model complete with everything needed to get in the air fast!



HITEC TO GO!
Pre-assembled model with installed electronics; requires Hitec transmitter to link it up and go!



PLUG-IN TO GO!
Pre-installed model with servos, motor and ESC; requires motor receiver, transmitter and motor battery and you're off!

Sky Scout Jr.



FEATURES

- Pre-Assembled Model Made of Durable Elapor® Foam
- Protected Top Mounted Motor
- Basic Rudder, Elevator and Motor Control
- Powerful DC Motor
- Gentle Gliding Characteristics
- Easy to Transport
- Optional Ailerons

SPECIFICATIONS

- Wingspan: 1366 mm.
- Weight: (All-up weight min. 650 g)
- Length: 977 mm
- Wing Area: 28 dm² (wing + tail plane, excl. fuselage)
- Wing Loading: 25 g/dm²

Brushed Power with 5x4" Prop



Stock# 13216 : Sky Scout Jr. R2GO

Includes Pre-Installed:
Hitec Lite 4 2.4GHz 4-Channel Radio
(w/ 4 AA Alkaline Batteries)
Minima 6S Receiver
HS-55 Servos
400DC Motor
HSP-16A ESC
HLP-2/1800S LiPo
DC Balancing Charger

Stock# 13217 : Sky Scout Jr. H2GO

Includes Pre-Installed:
Minima 6S Receiver
HS-55 Servos
400DC Motor
HSP-16A ESC
HLP-2/1800S LiPo
DC Balancing Charger

Stock# 13218 : Sky Scout Jr. P2GO

Includes Pre-Installed:
HS-55 Servos
400DC Motor
HSP-16A ESC



Hitec Lite 4 TX & Minima 6S
4 Channel 2.4GHz Radio &
6 Channel 2.4GHz Receiver



2.4GHz AFHSS Lite4

Economic built-in 4ch 2.4Ghz Radio Lite 4 and 6ch Receiver Minima 6S with a reasonable price. The Lite 4 radio and Minima 6S are the simple and economic choices for basic model class and the Minima 6S is mini sized basic single directional receiver with vertical slot for servos. Those are also all specialized for Hitec new RTF models. Lite 4 is only compatible with Minima 6S to operate your own airplanes but the Minima 6S is compatible with all kinds of Hitec 2.4Ghz Radios.

FEATURES

- Servo Reversing on All 4 Channels & Mixing
- Mixing(ELEVON & V-TAIL)
- 2.4GHz binding button
- 4ch all trim
- Power on, binding, low Battery warning LED
- SIC & Trainer Jack(Slave only)

Stock# 153240

LITE 4 2.4GHz Transmitter and Minima 6S Receiver Only (Mode 2)

Stock# 153241

LITE 4 2.4GHz Transmitter and Minima 6S Receiver Only (Mode 1)

Smart Charger H4

Its sleek, aluminum design, easy-to-read backlit graphic display and four computer-controlled charging ports with Lithium cell-balancing circuits, make the H4 a hit for all electric airplane and helicopter pilots as well as demanding racers and backyard bashers. Each 120-watt port is capable of delivering up to 8 amps of charging power. The independent charging channels can also be paired to provide two independent 240-watt charge ports, or two 120-watt ports with a single 240-watt charge port. This versatility, along with the H4's unwavering reliability, safety functions, upgradeable firmware and PC-interface capability using our HPP-22 PC Interface, make this a must-have charger. As with all of Hitec's chargers, The H4 works with all common battery types, including Lithium, NiCd/NiMH and lead acid chemistries.



Free Battery Combination

Li-Po 1-6 cell	Li-Fe 1-6 cell	Li-ION 1-6 cell	Ni-CD 1-15 cell	Ni-MH 1-15 cell	Pb 2-24 V
--------------------------	--------------------------	---------------------------	---------------------------	---------------------------	---------------------



Top View



Left View



Right View



Stand



Standing View

PROFESSIONAL BALANCE CHARGER Smart Charger H4

FEATURES

- Luxury High Performance 4-channel Smart Charger
- Full aluminum case
- 32bit high performance microprocessor controlled
- High quality 128x64 Back Light Graphic LCD
- High Power 120watt x 4channel
- Hitec Channel Bridge Function (Max Charge - 240watt)
- Lithium Chemistry Battery (LiPo, LiFe , Li-Ion)
- NiMH , NiCd, Pb Battery capable
- Li-xx Storage Mode (Auto Detecting)
- Ni-xx Cycle Charge & Discharge (Up to 10-cycle)
- Built in Cell check Function (Voltage level & Capacity)
- Lithium Chemistry Battery Discard Function
- User name (12 character)
- Temp Sensor can be connected.
- Firmware can be Upgraded by HPP-22

SPECIFICATION

Function	Charger, Discharger, Cycle Charger/Discharger (Ni-XX), Balancer (Li-XX), Battery Voltage Displays(Li-XX), Warning Signals, Safety Features.
Compatible Batteries	Li-Po, Li-Fe, Li-Ion, Ni-CD, Ni-MH, Pb
Available Number of Cells	1-6 Li-Po, Li-Fe, Li-Ion / 1-15 Ni-MH, Ni-CD / 1-12 Pb (2~24v)
Input Voltage	DC 11~18V
Charging Current	120watts x 4ch(Max 8A) , 240watts (16A) x 2ch (With Hitec Bridge Function)
Discharging Current	10watts x 4ch (Max 2A) , 20watts (4A) x 2ch (With Hitec Bridge Function)
Balancer Connector Type	MPX, Thunder Power, Flight Power
Power	DC 13V 40A (500W)
Model Memory	10 model memory per channels
Size	205mm x 163mm x 52mm
Weight	1200g

PROFESSIONAL BALANCE CHARGER Smart Charger H4



Channel Bridge

Two independent channels can be transformed to single powerful Channel

Accessory includes :

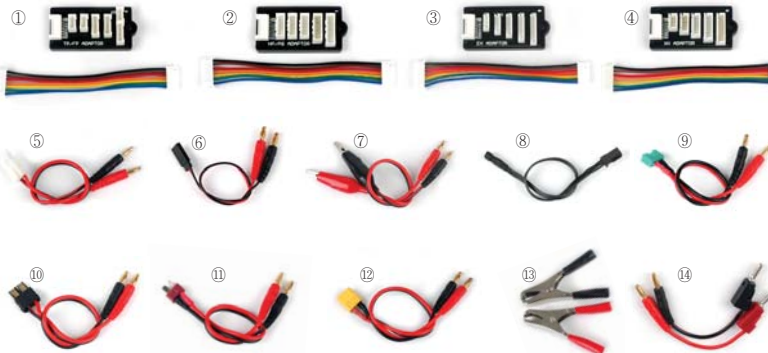
#44186 : ①③④⑤⑥⑦⑩⑪⑬⑭

#44187 : ①③④⑬⑭

#44188 : ①④⑦⑨⑫⑬⑭

#44189 : ①④⑤⑥⑦⑨⑩⑪⑬⑭

#44190 : ②④⑥⑦⑪⑫⑬⑭



OPTIONAL ACCESSORIES

①	#44152	Battery Balance Board (Multiplex, FP/TP Type)
②	#44153	Battery Balance Board (HP/PQ Type)
③	#44154	Battery Balance Board (EH Type)
④	#44155	Battery Balance Board (XH Type)
⑤	#44156	Tamiya Charging Connector
⑥	#44157	Receiver Battery Charging Connector
⑦	#44158	Alligator Clip Charging Connector
⑧	#44159	Temperature Sensor
⑨	#44160	Multiplex Charging Connector
⑩	#44161	Traxxas Charging Connector
⑪	#44162	2pin T-Type Charging Connector
⑫	#44179	Hobby King Charging Connector
⑬	#44201	Plug-in Battery Clamps
⑭	#44202	Bridge Charging Connector

80-Watt, Multi-Function, AC/DC Charger

2013
NEW

FEATURES

- Single 80-watt/10-amp charge port
- Charges all battery types including Lithium, NiCd/NiMH and Lead-Acid
- Built-in Motor RPM Tester
- Built-in Servo Tester
- USB PC Control for Monitor and Control Via PC
- Universal Balancing Board
- Upgradeable Firmware

Stock# 44176



multi charger X1 MF

X2-400 Two-Port Multicharger

2013
NEW

FEATURES

- Optimized Operating Software
- Internal Independent Lithium Battery Balancers
- Charges Most Popular Lithium Chemistry Batteries (Li-Ion, LiPo, LiFe)
- Multiple Lithium Battery Charge Modes (Fast, Balance & Storage Modes)
- 5 User Customizable Presets Per Channel
- Delta Peak Technology for Maximum Safety
- Automatic Charging Current Limit
- User Set Capacity and Processing Time Limit
- Temperature Threshold*
- Cyclic Charging / Discharging
- PC Based Analysis Using USB Communication**
- ** A PC-LINK USB adaptor can be purchased separately.
- * This function is available by connecting an optional temperature probe, which is not included with the charger

Stock# 44170



High Output Dual Charging System multi charger X2 400 Four Hundred

30-Amp AC Power Supply

2013
NEW

FEATURES

- Two DC power outputs, up to 30 amperes
- Output voltage adjustable 12-18V
- Large LCD indicates voltage and current amperes output
- Two USB ports, 5 volts, 1000mA total for MP3 player, mobile phone and digital cameras
- Smart cooling fan
- Over temperature protection
- Over loading protection
- Short circuit protection

Stock# 44174



30A SWITCHING POWER SUPPLY ePowerBox 30A



AC/DC INPUT, PROFESSIONAL
BALANCE CHARGER, DISCHARGER

multi charger X4 AC PLUS

X4 AC PLUS Four-Channel AC/DC Multicharger

We raised the bar on the X4 and equipped it with a built-in AC power supply. The Hitec X4 AC Plus is a high-performance, microprocessor controlled charge/discharge station with battery management features that is suitable for use with all current battery types. With integral balancers for up to six-cell Lithium-Ion (LiIon), Lithium-Polymer (LiPo) and Lithium-Ferrite (LiFe) batteries. The Hitec X4 AC Plus charger offers a complete charging solution for novice and expert RC enthusiasts alike. The multi-tasking versatility of this new charger makes it a perfect fit for nitro and electric modelers, regardless of what you drive, hover, float or fly.

-Function :

- Charger, Discharger, Cycle Charger/Discharger(Ni-XX), Balancer(Li-XX), Battery Voltage Displays(Li-XX), Warning Signals, Safety Features
- Compatible Batteries : Li-Po, Li-Fe, Li-Ion, Ni-CD, Ni-MH, Pb
- Available Number of Cells : Li-Po/Li-Fe: 1~6 cells / Ni-MH/Ni-CD: 1~15 cells / Pb: 1~10 cells
- Input Voltage : DC 11~18V
- AC Input (US Version): 100-120V(380-330W) (EU/UK/AU/CHN Version): 220-240V(380-330W)

- Charging Current: 0.1~6.0A (Max 50W (Total 200W))
- Discharging Current: 0.1-1.0A (Max 5W (Total 20W))
- Output Power : 200W
- Size : 225 x 170 x 66 mm
- Weight : 1.57kg
- Stock #44167

CG-S52

Ni-MH SMPS Overnight Charger

- SMPS (Switching Mode Power Supply) Type (220V Input)
- Charger for Transmitter Ni-MH Battery
- Charging Capacity : 150mAh
- Auto Cut-Off Function
- 7.2V (6 Cell) for TX
- Stock #44180



CG-S55

Ni-MH SMPS Overnight Charger

- SMPS (Switching Mode Power Supply) Type (110V Input)
- Charger for Transmitter Ni-MH Battery
- Charging Capacity : 150mAh
- Auto Cut-Off Function
- 7.2V (6 Cell) for TX
- Stock #44181



Hitec LiPo Checker

FEATURES

- Applicable Battery Pack: 2-6S LiPo
- Case Size: 70 x 38 x 11mm
- Voltage Display Tolerance: +1-1.5%
- Weight: 23g
- Voltage Display Resolution: 0.01v
- Operating Temperature: 10 ~ +45°C
- Voltage Display Range: 0-5v
- Storage Temperature: -20 ~ +60°C
- Balancing Current: 50mA
- Stock #44173



Ultra Premium Brushless Servos

The Crown Jewels of our servo line-up



HSB-9360TH

BLDC ULTRA SPEED
 6.0/7.4V Torque : 17.0 kg.cm
 6.0 V Speed : 0.08 sec/60°
 7.4 V Speed : 0.06 sec/60°
 Dimensions : 40 x 20 x 38 mm
 Weight : 68 g
 Stock# 39360

HV TG 12bit H25T

HSB-9370TH

BLDC MULTI-PURPOSE
 6.0/7.4 V Torque : 25 kg.cm
 6.0 V Speed : 0.12 sec/60°
 7.4 V Speed : 0.10sec/60°
 Dimensions : 40 x 20 x 38 mm
 Weight : 68.0 g
 Stock# 39370

HV TG 12bit H25T

HSB-9380TH

BLDC ULTRA TORQUE
 6.0/7.4 V Torque : 34.0 kg.cm
 6.0 V Speed : 0.18 sec/60°
 7.4 V Speed : 0.14 sec/60°
 Dimensions : 40 x 20 x 38 mm
 Weight : 68 g
 Stock# 39380

HV TG 12bit H25T



Titanium Gear Train

Diamond-Cut Aluminum Heat Sink



Brilliant Invention!

Hitec's Power Miser Brushless Servos

Hitec proudly announces a new era in servo development with our first-ever, premium, ultra-efficient brushless servos. Powered by high performance Neu/Castle brushless motor and optimized "Power Miser" digital circuitry, we created the masterpiece with powerful, efficient and durable performance that is unrivaled among any in our industry. These breakthrough servos also provide the added benefit of programming your brushless servos with our traditional programming functions using Hitec's dedicated software on your PC.

Ultra Efficient Brushless servos

Affordable Premium Brushless Performance



HSB-9465SH

BLDC HIGH SPEED
 6.0V Torque : 13.5 kg.cm
 6.0 V Speed : 0.09 sec/60°
 7.4V Torque : 13.5 kg.cm
 7.4 V Speed : 0.07 sec/60°
 Dimensions : 40 x 20 x 37 mm
 Weight : 62 g
 Stock# 39465

HV SG 12bit H25T



HSB-9475SH

BLDC MULTI-PURPOSE
 6.0 V Torque : 19.4 kg.cm
 6.0 V Speed : 0.13 sec/60°
 7.4 V Torque : 19.4 kg.cm
 7.4 V Speed : 0.1 sec/60°
 Dimensions : 40 x 20 x 37 mm
 Weight : 62 g
 Stock# 39475S

HV SG 12bit H25T



HSB-9485SH

BLDC HIGH TORQUE
 6.0 V Torque : 26 kg.cm
 6.0 V Speed : 0.18 sec/60°
 7.4 V Torque : 26 kg.cm
 7.4 V Speed : 0.15 sec/60°
 Dimensions : 40 x 20 x 37 mm
 Weight : 62 g
 Stock# 39485S

HV SG 12bit H25T



Constant Output :

Regardless of your power input (6.0V ~ 8.4V), Hitec's brushless servos will maintain constant output power throughout your flight or racing.

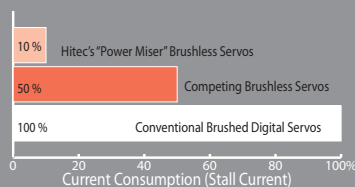
Hybrid MPD (Metal-Plastic-Duralumin) 1st Gear :

The metal, plastic and duralumin hybrid 1st gear gives our brushless servos maximum performance and durability even in the toughest applications. The plastic within the MPD prevents inadvertent electrical contact with the aircraft or vehicle's hardware.



Ultra Low Current Consumption :

"Energy efficiency" is a common interest for all modelers. By designing servos which consume only 1/5th of the power of existing brushless servos, Hitec engineers have successfully achieved low power consumption and our goal for combining efficiency and dynamics in a brushless servo technology.



12 Bit Resolution Programmable Digital Circuit:

You can utilize Hitec's PC interface to customize your brushless servos to maximize your performance in a multitude of applications.



*HBI-10 Hitec Brushless Servo PC Interface required
 Stock# 44426

High Response Servos

Premium Performance with Lightning Response

The high resolution and response of our new HS-8000 series of servos brings the "wow" factor to your plane, heli and car. Designed with an efficient coreless motor, and 7.4 volt capability, our ultra-performance servos provide impressive precision with rapid-fire responsiveness. Whether you are tearing it up with your car, truck or buggy, flying high with your giant scale aircraft or crack rolling with your 600 to 700-size electric or gas-powered helicopter, there's an Ultra Response 8000 series servo for you.

Ultra-Premium Ultra Response Servos for your Heli or Vehicle.

Industry Leading Titanium Gear Trains

HS-8360TH ULTRA SPEED

6.0 V Torque : 13.5 kg.cm
6.0 V Speed : 0.08 sec/60°
7.4 V Torque : 16.5 kg.cm
7.4 V Speed : 0.07 sec/60°
Dimensions : 40 x 20 x 38 mm
Weight : 68 g

Stock# 38360S

HV HR TG H25T

HS-8370TH MULTI-PURPOSE

6.0 V Torque : 18.0 kg.cm
6.0 V Speed : 0.12 sec/60°
7.4 V Torque : 23.0 kg.cm
7.4 V Speed : 0.10 sec/60°
Dimensions : 40 x 20 x 38 mm
Weight : 68 g

Stock# 38370S

HV HR TG H25T

HS-8380TH ULTRA TORQUE

6.0 V Torque : 29.0 kg.cm
6.0 V Speed : 0.17 sec/60°
7.4 V Torque : 35.0 kg.cm
7.4 V Speed : 0.14 sec/60°
Dimensions : 40 x 20 x 38 mm
Weight : 68 g

Stock# 38380S

HV HR TG H25T



2013 NEW



2013 NEW



Full Metal Case Ultra Response Servos

Ultimate Strength and Precision

HS-8361TH ULTRA SPEED

6.0 V Torque : 13.5 kg.cm
6.0 V Speed : 0.08 sec/60°
7.4 V Torque : 16.5 kg.cm
7.4 V Speed : 0.07 sec/60°
Dimensions : 40 x 20 x 38 mm
Weight : 78 g

Stock# 38361S

HV HR TG H25T

HS-8381TH ULTRA TORQUE

6.0 V Torque : 29.0 kg.cm
6.0 V Speed : 0.17 sec/60°
7.4 V Torque : 35.0 kg.cm
7.4 V Speed : 0.14 sec/60°
Dimensions : 40 x 20 x 38 mm
Weight : 78 g

Stock# 38381S

HV HR TG H25T

Ultra Response Servos for your Heli or Vehicle

Affordable Premium Servos

HS-8330SH SUPER SPEED

6.0 V Torque : 10.0 kg.cm
6.0 V Speed : 0.085 sec/60°
7.4 V Torque : 13.0 kg.cm
7.4 V Speed : 0.07 sec/60°
Dimensions : 40 x 20 x 37 mm
Weight : 66 g

Stock# 38330S

HV HR SG H25T

HS-8335SH MIGHTY TORQUE

6.0 V Torque : 18.5 kg.cm
6.0 V Speed : 0.16 sec/60°
7.4 V Torque : 24.0 kg.cm
7.4 V Speed : 0.13 sec/60°
Dimensions : 40 x 20 x 37 mm
Weight : 64 g

Stock# 38335S

HV HR SG H25T

2013 NEW



Ultra Response

Ultra-Fast Tail Rotor Servo

Fastest on the Block

HSG-8315BH HELI RUDDER

6.0 V Torque : 4.3 kg.cm
6.0 V Speed : 0.05 sec/60°
7.4 V Torque : 5.3 kg.cm
7.4 V Speed : 0.04 sec/60°
Dimensions : 40 x 20 x 38 mm
Weight : 60 g

Stock# 38315S

HV HR H25T



2013 NEW



Low Profile Ultra Response Servo

Responsive Perfection

HS-8775MG LOW PROFILED

4.8 V Torque : 7.2 kg.cm
4.8 V Speed : 0.12 sec/60°
6.0 V Torque : 9.0 kg.cm
6.0 V Speed : 0.10 sec/60°
Dimensions : 40.4 x 21.0 x 25.4 mm
Weight : 45 g

Stock# 35646S

HV H25T



2013 NEW



HV High Voltage

TG Titanium Gears

SG Steel Gears

H25T Hitec 25 tooth Spline Gears

HR High Response Circuitry

G2 2nd Generation Circuitry

Giant scale air planes Servo

HS-8385TH is specialized for giant scale airplanes and provides the experience you never have before! It is designed with an efficient coreless motor, robust titanium gears and 7.4V LiPo capability.

This high-performance, non-programmable digital servo provides powerful torque, precision and sensitivity required for most giant scale airplanes.

HS-8385TH
GIANT SCALE AIRPLANE SERVO
6.0 V Torque : 29.0 kg.cm
6.0 V Speed : 0.17 sec/60°
7.4 V Torque : 35.0 kg.cm
7.4 V Speed : 0.14 sec/60°
Dimensions : 40 x 20 x 38 mm
Weight : 68 g
Stock# 383855

HV TG H25T



2013
NEW



Rudder Tray Servo

The HS-7956SHR is based on the highly popular HS-7954SH and is equipped with a special metal top case tray, ultra duty metal ball bearing rudder horn and two special rods. HS-7956SHR is best suited for 30-50cc giant scale airplanes and it is easy to install for rudder usage. It has a brilliant design and sturdy construction that you've never experienced before!

HS-7956SHR
RUDDER TRAY
6.0 V Torque : 20.0 kg.cm
6.0 V Speed : 0.15 sec/60°
7.4 V Torque : 24.5 kg.cm
7.4 V Speed : 0.12 sec/60°
Dimensions : 40 x 20 x 37 mm
Weight : 92 g

Stock# 379565

HV G2



2013
NEW

Digital HV Ultra Giant Servos

Industry's first-ever, ultra giant super powerful servos! They are designed with specially handmade cored motor for high reliability and durability, non-breakable steel gears with EMI shield aluminum cases and non-programmable digital circuits. These giant servos provide the super powerful torque for special RC industrial usage and giant scale Heli and Car.

HS-9005GS
GIANT SPEED
11.1 V Torque : 65.0 kg.cm
11.1 V Speed : 0.2 sec/60°
14.8 V Torque : 87.0 kg.cm
14.8 V Speed : 0.15 sec/60°
Dimensions : 64 x 33 x 73 mm
Weight : 363 g

Stock# 349005

HV SG

87kg
(14.8V)

HS-1000SGT
GIANT TORQUE
11.1 V Torque : 84.0 kg.cm
11.1 V Speed : 0.26 sec/60°
14.8 V Torque : 110.0 kg.cm
14.8 V Speed : 0.19 sec/60°
Dimensions : 64 x 33 x 73 mm
Weight : 363 g

Stock# 356465

HV SG

110kg
(14.8V)



2013
NEW

2013
NEW

Ultra Slim Wing Servos

HS-7115TH

HV ULTRA SLIM WING

6.0 V Torque : 3.2 kg.cm

6.0 V Speed : 0.12 sec/60°

7.4 V Torque : 3.9 kg.cm

7.4 V Speed : 0.10 sec/60°

Dimensions : 26.0 x 8.0 x 38.0 mm

Weight : 20.0 g

Stock# 371155

HV TG G2



8mm

8mm × 20g



Industry's First Waterproof Servo

Industry's first patent pending IP67 rating, ranking them among the most durable and reliable servos for wet or submerged conditions. Whether you are manning your power boat, bashing in the mud, directing your underwater robot, or water landing your plane, our HS-646WP, HS-5086WP and HS-5646WP deliver unwavering performance.



Specially-engineered Hitec's waterproof servo technology allows our WP servos to have the best performance under submerged operating conditions. "Patent Pending"

True Waterproof

*IP-67 (International Protection Code - 67) :
6 - Dust Tight: Complete protection against contact
7 - Immersion up to 1-M: Test duration of 30 minutes



HS-5646WP

WATER PROOF

6.0 V Torque : 11.3 kg.cm

6.0 V Speed : 0.2 sec/60°

7.4 V Torque : 12.9 kg.cm

7.4 V Speed : 0.18 sec/60°

Dimensions : 41.8 x 21.0 x 40.0 mm

Weight : 61 g

Stock# 356465

HV



HS-646WP

WATER PROOF

6.0 V Torque : 9.6 kg.cm

6.0 V Speed : 0.2 sec/60°

7.4 V Torque : 11.6 kg.cm

7.4 V Speed : 0.17 sec/60°

Dimensions : 41.8 x 21.0 x 40.0 mm

Weight : 58 g

Stock# 326465

HV



HS-5086WP

WATER PROOF

4.8 V Torque : 3.0 kg.cm

4.8 V Speed : 0.18 sec/60°

6.0 V Torque : 3.6 kg.cm

6.0 V Speed : 0.15 sec/60°

Dimensions : 31.0 x 15.2 x 31.0 mm

Weight : 28.5 g

Stock# 350865

Digital Servo Programmable

Some of its exemplary features include manual/automatic testing, transmitter pulse width measurement, receiver voltage measurement, and the ability to program direction of rotation, speed of rotation, fail-safe point preset, end point and neutral point. The HFP-25 also can program the overload protection setting and servo resolution mode setting on our G2 (HS-7XXX) series of digital servos.

HFP-25

Servo Tester / Digital Servo Field Programmer

- Light Weight, Elegant Case
- Low Battery Warning
- LCD Screen
- Easy Operation
- Alkaline Battery Holder



HFP-25
Stock# 44425

HPP-21 & HPP-21 Plus

Servo Tester / Digital Servo PC Programmer

- Servo Test (Manual/Auto)
- EPA / Fail Safe Position
- Fail Safe On/Off
- Servo Speed
- Change Rotation (CW / CCW)
- Dead Band Setting
- Overload Protection
(For HS-50XX Micro Digital Servos & HS-7XXX Digital Servos)
- Resolution Mode Setting
(For HS-7XXX Digital Servos)
- Servo Reset



HPP-21
(PC Use Only)
Stock# 44440



HPP-21 plus
(PC & FIELD Use)
Stock# 44460

Visit our website <http://www.hitecrd.com/tester/tester.html> for firmware updates and download manuals for HPP-21 & HPP-21 PLUS.

Digital HV Ultra Premium



HS-7940TH

HV ULTRA SPEED

6.0 V Torque : 13 kg.cm
6.0 V Speed : 0.07 sec/60°
7.4 V Torque : 16 kg.cm
7.4 V Speed : 0.06 sec/60°
Dimensions : 40 x 20 x 38 mm
Weight : 68 g
Stock# 37940S



HS-7945TH

HV MULTIPURPOSE

6.0 V Torque : 18.0 kg.cm
6.0 V Speed : 0.12 sec/60°
7.4 V Torque : 23.0 kg.cm
7.4 V Speed : 0.10 sec/60°
Dimensions : 40 x 20 x 38 mm
Weight : 65 g
Stock# 37945S



HS-7950TH

HV ULTRA TORQUE

6.0 V Torque : 29 kg.cm
6.0 V Speed : 0.15 sec/60°
7.4 V Torque : 35 kg.cm
7.4 V Speed : 0.13 sec/60°
Dimensions : 40 x 20 x 38 mm
Weight : 68 g
Stock# 37950S



HV TG G2

HV TG G2

HS-7954SH

HV SUPER TORQUE

6.0 V Torque : 24 kg.cm
6.0 V Speed : 0.15 sec/60°
7.4 V Torque : 29 kg.cm
7.4 V Speed : 0.12 sec/60°
Dimensions : 40 x 20 x 37 mm
Weight : 68 g
Stock# 37954



HS-7980TH

HV MONSTER TORQUE

6.0 V Torque : 36.0 kg.cm
6.0 V Speed : 0.21 sec/60°
7.4 V Torque : 44.0 kg.cm
7.4 V Speed : 0.17 sec/60°
Dimensions : 43.8 x 22.4 x 40 mm
Weight : 78.2 g
Stock# 37980S



HS-M7990TH

HV MAGNETIC ENCODER MONSTER TORQUE

6.0 V Torque : 36.0 kg.cm
6.0 V Speed : 0.21 sec/60°
7.4 V Torque : 44.0 kg.cm
7.4 V Speed : 0.17 sec/60°
Dimensions : 43.8 x 22.4 x 40 mm
Weight : 79.0 g
Stock# 37990S



HV SG G2

HV TG G2

HV TG G2

Digital Premium Sport

HS-7965MG

DIGITAL HIGH SPEED

4.8 V Torque : 8.0 kg.cm
4.8 V Speed : 0.13 sec/60°
6.0 V Torque : 10.0 kg.cm
6.0 V Speed : 0.10 sec/60°
Dimensions : 40 x 20 x 37 mm
Weight : 62 g
Stock# 37965



HS-7985MG

DIGITAL HIGH TORQUE

4.8 V Torque : 10.4 kg.cm
4.8 V Speed : 0.16 sec/60°
6.0 V Torque : 12.4 kg.cm
6.0 V Speed : 0.13 sec/60°
Dimensions : 40 x 20 x 37 mm
Weight : 62 g
Stock# 37985



HS-7966HB

DIGITAL HIGH SPEED

4.8 V Torque : 6.6 kg.cm
4.8 V Speed : 0.10 sec/60°
6.0 V Torque : 8.0 kg.cm
6.0 V Speed : 0.08 sec/60°
Dimensions : 40 x 20 x 37 mm
Weight : 53 g
Stock# 37966



G2

G2

G2

HS-7975HB

CORELESS DIGITAL

4.8 V Torque : 8.6 kg.cm
4.8 V Speed : 0.13 sec/60°
6.0 V Torque : 10.4 kg.cm
6.0 V Speed : 0.10 sec/60°
Dimensions : 40 x 20 x 37 mm
Weight : 52 g
Stock# 37975



HS-7955TG

DIGITAL ULTRA TORQUE

4.8 V Torque : 18 kg.cm
4.8 V Speed : 0.19 sec/60°
6.0 V Torque : 24 kg.cm
6.0 V Speed : 0.15 sec/60°
Dimensions : 40 x 20 x 37 mm
Weight : 65 g
Stock# 37955



HS-7775MG

LOW PROFILED CORELESS

4.8 V Torque : 7.2 kg.cm
4.8 V Speed : 0.12 sec/60°
6.0 V Torque : 9.0 kg.cm
6.0 V Speed : 0.10 sec/60°
Dimensions : 40.4 x 21 x 25.4 mm
Weight : 49 g
Stock# 37775S



G2

G2 TG

G2

Digital Micro & Mini

HS-5035HD

DIGITAL NANO SERVO

4.8 V Torque : 0.8 kg.cm
4.8 V Speed : 0.12 sec/60°
Dimensions : 18.6x7.6x15.5 mm
Weight : 4.5 g
Stock# 350355

Long lifespan!



HS-5045HB

DIGITAL FEATHER

4.8 V Torque : 1.0 kg.cm
4.8 V Speed : 0.12 sec/60°
Dimensions : 23.6x9.8x22.4 mm
Weight : 8.5 g
Stock# 35045



HS-5055MG

DIGITAL FEATHER

4.8 V Torque : 1.3 kg.cm
4.8 V Speed : 0.20 sec/60°
6.0 V Torque : 1.6 kg.cm
6.0 V Speed : 0.17 sec/60°
Dimensions : 22.8 x 11.6 x 24 mm
Weight : 9.5 g
Stock# 350555



HS-5056MG

DIGITAL FEATHER

4.8 V Torque : 1.2 kg.cm
4.8 V Speed : 0.12 sec/60°
6.0 V Torque : 1.4 kg.cm
6.0 V Speed : 0.10 sec/60°
Dimensions : 22.6 x 11.6 x 24 mm
Weight : 12.7 g
Stock# 350565



HS-5065MG

DIGITAL MIGHTY

4.8 V Torque : 1.8 kg.cm
4.8 V Speed : 0.14 sec/60°
6.0 V Torque : 2.2 kg.cm
6.0 V Speed : 0.11 sec/60°
Dimensions : 23.6 x 11.6 x 24 mm
Weight : 11.9 g
Stock# 350565



HS-A5076HB

DIGITAL SLIM

4.8 V Torque : 2.5 kg.cm
4.8 V Speed : 0.14 sec/60°
6.0 V Torque : 3.0 kg.cm
6.0 V Speed : 0.11 sec/60°
Dimensions : 27.6 x 10.8 x 29 mm
Weight : 14.3 g
Stock# 35076



HS-5085MG

DIGITAL MIGHTY MICRO

4.8 V Torque : 3.6 kg.cm
4.8 V Speed : 0.17 sec/60°
6.0 V Torque : 4.3 kg.cm
6.0 V Speed : 0.13 sec/60°
Dimensions : 29 x 13 x 30 mm
Weight : 21.9 g
Stock# 350855



HS-5125MG

DIGITAL WING

4.8 V Torque : 3.0 kg.cm
4.8 V Speed : 0.17 sec/60°
6.0 V Torque : 3.5 kg.cm
6.0 V Speed : 0.13 sec/60°
Dimensions : 30 x 10 x 34 mm
Weight : 24 g
Stock# 351255



METAL HORN
(M23-ML)Included

HS-5245MG

DIGITAL MINI

4.8 V Torque : 4.4 kg.cm
4.8 V Speed : 0.15 sec/60°
6.0 V Torque : 5.5 kg.cm
6.0 V Speed : 0.12 sec/60°
Dimensions : 32.4 x 16.8 x 30.8 mm
Weight : 32 g
Stock# 352455



METAL HORN
(R-ML)Included

HS-5087MH

HV DIGITAL MIGHTY MICRO

6.0 V Torque : 3.6 kg.cm
6.0 V Speed : 0.17 sec/60°
7.4 V Torque : 4.3 kg.cm
7.4 V Speed : 0.13 sec/60°
Dimensions : 29 x 13 x 30 mm
Weight : 21.9 g
Stock# 350875



HV

HS-7235MH

HV CORELESS MINI DIGITAL SPEED

6.0 V Torque : 3.6 kg.cm
6.0 V Speed : 0.09 sec/60°
7.4 V Torque : 4.4 kg.cm
7.4 V Speed : 0.08 sec/60°
Dimensions : 32.4 x 16.8 x 32.8 mm
Weight : 34 g
Stock# 372355



HV G2

HS-7245MH

HV CORELESS MINI DIGITAL TORQUE

6.0 V Torque : 5.2 kg.cm
6.0 V Speed : 0.13 sec/60°
7.4 V Torque : 6.4 kg.cm
7.4 V Speed : 0.11 sec/60°
Dimensions : 32.4 x 16.8 x 32.8 mm
Weight : 34 g
Stock# 372455



HV G2

Gyro & Tail Rotor

HG-5000

HIGH PERFORMANCE MEMS GYRO

- Optimized High Response Narrow Band Hitec Signal
- Universal Signal Selectable (works with most analog or digital servos)
- Precision Control Technology for Heading Lock
- Auto Detection for any Transmitter and Receiver
- Advanced Real Time - Signal Processing
- Remote Gain Adjustment
- Low Power Consumption (20mAh)
- Dimensions 0.86 x 0.86 x 0.43 in

Stock # 41910 (Gyro Only)

Stock # 41920 (Gyro and HSG-5083MG)



HSG-5083MG

MICRO DIGITAL SERVO FOR GYRO USE

- Micro Digital Servo for HG-5000 use only
- Optimized for 400 ~ 500 class EP helicopter
- All Metal Gear Applied (1st MP Gear)
- Non-Programmable
- 4.8 V Torque : 1.5 kg.cm
- 6.0 V Speed : 0.07 sec/60°
- Dimensions : 29 x 13 x 30 mm
- Weight : 21.7 g

Stock# 35083 (Servo Only)



HSG-5084MG

MICRO DIGITAL SERVO FOR GYRO / MINI CAR

- Universal Signal Gyro / Mini Car Servo
- (To be used with any brand of Gyro)
- All Metal Gear Applied (1st Mp Gear)
- Non-Programmable
- 4.8 V Torque : 1.5 kg.cm
- 4.8 V Speed : 0.07 sec/60° No Load
- 6.0 V Torque : 1.9 kg.cm
- 6.0 V Speed : 0.05 sec/60° No Load
- Dimensions : 29 x 13 x 30 mm
- Weight : 21.7 g

Stock# 35084



Digital Standard Sport

HS-5485HB DIGITAL STANDARD

4.8 V Torque : 5.2 kg.cm
4.8 V Speed : 0.20 sec/60°
6.0 V Torque : 6.4 kg.cm
6.0 V Speed : 0.17 sec/60°
Dimensions : 39.8 x 19.8 x 38 mm
Weight : 45 g
Stock# 35485S



HS-5495BH HV DIGITAL STANDARD

6.0 V Torque : 6.4 kg.cm
6.0 V Speed : 0.17 sec/60°
7.4 V Torque : 7.5 kg.cm
7.4 V Speed : 0.15 sec/60°
Dimensions : 39.8 x 19.8 x 37.8 mm
Weight : 22.1 g
Stock# 35495S

HV



HS-5496MH HV DIGITAL STANDARD

6.0 V Torque : 6.4 kg.cm
6.0 V Speed : 0.17 sec/60°
7.4 V Torque : 7.5 kg.cm
7.4 V Speed : 0.15 sec/60°
Dimensions : 39.8 x 19.8 x 37.8 mm
Weight : 52.1 g
Stock# 35496S

HV



HS-5625MG DIGITAL SUPER SPEED

4.8 V Torque : 7.9 kg.cm
4.8 V Speed : 0.17 sec/60°
6.0 V Torque : 9.4 kg.cm
6.0 V Speed : 0.14 sec/60°
Dimensions : 40.6 x 19.8 x 37.8 mm
Weight : 60 g

Stock# 35625S
METAL HORN
(R-ML)Included



HS-5645MG DIGITAL SUPER TORQUE

4.8 V Torque : 10.3 kg.cm
4.8 V Speed : 0.23 sec/60°
6.0 V Torque : 12.1 kg.cm
6.0 V Speed : 0.18 sec/60°
Dimensions : 40.6 x 19.8 x 37.8 mm
Weight : 60 g

Stock# 35645S
METAL HORN
(R-ML)Included



HS-5665MH HV DIGITAL SUPER SPEED

6.0 V Torque : 8.8 kg.cm
6.0 V Speed : 0.16 sec/60°
7.4 V Torque : 10.0 kg.cm
7.4 V Speed : 0.14 sec/60°
Dimensions : 40.6 x 19.8 x 37.8 mm
Weight : 60 g

Stock# 35665S

HV



HS-5685MH HV DIGITAL SUPER TORQUE

6.0 V Torque : 11.3 kg.cm
6.0 V Speed : 0.20 sec/60°
7.4 V Torque : 12.8 kg.cm
7.4 V Speed : 0.17 sec/60°
Dimensions : 40.6 x 20.3 x 38.0 mm
Weight : 59.5 g

Stock# 35685S

HV



HS-5565MH HV CORELESS MONSTER SPEED

6.0 V Torque : 11 kg.cm
6.0 V Speed : 0.11 sec/60°
7.4 V Torque : 14 kg.cm
7.4 V Speed : 0.09 sec/60°
Dimensions : 39.8 x 19.8 x 38 mm
Weight : 59 g

Stock# 35565S

HV



HS-5585MH HV CORELESS MONSTER TORQUE

6.0 V Torque : 14 kg.cm
6.0 V Speed : 0.17 sec/60°
7.4 V Torque : 17 kg.cm
7.4 V Speed : 0.14 sec/60°
Dimensions : 39.8 x 19.8 x 38 mm
Weight : 59 g

Stock# 35585S

HV



HS-6635HB DIGITAL HIGH TORQUE

4.8 V Torque : 5 kg.cm
4.8 V Speed : 0.18 sec/60°
6.0 V Torque : 6 kg.cm
6.0 V Speed : 0.15 sec/60°
Dimensions : 39.8 x 19.8 x 38.8 mm
Weight : 52 g
Stock# 36635S



HS-5765MH DIGITAL MEGA SCALE

6.0 V Torque : 20 kg.cm
6.0 V Speed : 0.16 sec/60°
7.4 V Torque : 25 kg.cm
7.4 V Speed : 0.13 sec/60°
Dimensions : 59 x 29 x 52 mm
Weight : 172 g
Stock# 35675S

HV

HS-5805MG DIGITAL MEGA SCALE

4.8 V Torque : 19.8 kg.cm
4.8 V Speed : 0.19 sec/60°
6.0 V Torque : 24.7 kg.cm
6.0 V Speed : 0.14 sec/60°
Dimensions : 66 x 30 x 57.6 mm
Weight : 197 g
Stock# 35805S



Upgraded Aluminum Heat Sink

Digital
Giant
Scale

Analog Micro & Mini

HS-40

ECONOMY NANO

4.8 V Torque : 0.6 kg.cm
 4.8 V Speed : 0.12 sec/60°
 Dimensions : 20 x 8.6 x 17 mm
 Weight : 4.8 g
 Stock# 31040S



HS-53

ECONOMY FEATHER

4.8 V Torque : 1.2 kg.cm
 4.8 V Speed : 0.16 sec/60°
 6.0 V Torque : 1.5 kg.cm
 6.0 V Speed : 0.13 sec/60°
 Dimensions : 22.8 x 11.6 x 24.1 mm
 Weight : 8 g
 Stock# 31053S



HS-35HD

ULTRA NANO

4.8 V Torque : 0.8 kg.cm
 4.8 V Speed : 0.12 sec/60°
 Dimensions : 18.6 x 7.6 x 15.5 mm
 Weight : 4.5 g
 Stock# 33035S



HS-45HB

AGTT FEATHER

4.8 V Torque : 1.0 kg.cm
 4.8 V Speed : 0.14 sec/60°
 Dimensions : 23.6 X 9.8 X 22.4 mm
 Weight : 8 g
 Stock# 33045S



AGTT : Advanced Gear Train Technology

"What is AGTT?"

Hitec turned the world of micro servo gear strength, upside down. Our Patent Pending, AGTT(Advanced Gear Train Technique), inverts the servo motor and uses "Break-Hard", thicker gears on longer, flexible shafts that reach down the side of the case for a premium micro servo gear train guaranteed to be stronger than any micro servo ever made.

HS-55

ECONOMY FEATHER

4.8 V Torque : 1.1 kg.cm
 4.8 V Speed : 0.18 sec/60°
 6.0 V Torque : 1.3 kg.cm
 6.0 V Speed : 0.14 sec/60°
 Dimensions : 22.8 x 11.6 x 24 mm
 Weight : 8 g
 Stock# 33055S



HS-56HB

PREMIUM FEATHER

4.8 V Torque : 1.0 kg.cm
 4.8 V Speed : 0.12 sec/60°
 6.0 V Torque : 1.2 kg.cm
 6.0 V Speed : 0.10 sec/60°
 Dimensions : 22.6 x 11.6 x 24 mm
 Weight : 10.7 g
 Stock# 33056S



HS-65HB

MIGHTY FEATHER

4.8 V Torque : 1.8 kg.cm
 4.8 V Speed : 0.14 sec/60°
 6.0 V Torque : 2.2 kg.cm
 6.0 V Speed : 0.11 sec/60°
 Dimensions : 23.6 x 11.6 x 24 mm
 Weight : 11.2 g
 Stock# 33065S



HS-65MG

METAL GEAR MIGHTY FEATHER

4.8 V Torque : 1.8 kg.cm
 4.8 V Speed : 0.14 sec/60°
 6.0 V Torque : 2.2 kg.cm
 6.0 V Speed : 0.11 sec/60°
 Dimensions : 23.6 x 11.6 x 24 mm
 Weight : 11.9 g
 Stock# 32065S



HS-81

STANDARD MICRO

4.8 V Torque : 2.6 kg.cm
 4.8 V Speed : 0.11 sec/60°
 6.0 V Torque : 3.0 kg.cm
 6.0 V Speed : 0.09 sec/60°
 Dimensions : 29.8 x 12 x 29.6 mm
 Weight : 16.6 g
 Stock# 31081S



HS-82MG

METAL GEAR MICRO

4.8 V Torque : 2.8 kg.cm
 4.8 V Speed : 0.12 sec/60°
 6.0 V Torque : 3.4 kg.cm
 6.0 V Speed : 0.10 sec/60°
 Dimensions : 29.8 x 12 x 29.6 mm
 Weight : 19 g
 Stock# 32082S



HS-85BB

MIGHTY MICRO

4.8 V Torque : 3 kg.cm
 4.8 V Speed : 0.16 sec/60°
 6.0 V Torque : 3.5 kg.cm
 6.0 V Speed : 0.14 sec/60°
 Dimensions : 29 x 13 x 30 mm
 Weight : 19.2 g
 Stock# 31085S



HS-85MG

METAL GEAR MIGHTY MICRO

4.8 V Torque : 3 kg.cm
 4.8 V Speed : 0.16 sec/60°
 6.0 V Torque : 3.5 kg.cm
 6.0 V Speed : 0.14 sec/60°
 Dimensions : 29 x 13 x 30 mm
 Weight : 21.9 g
 Stock# 32085S



HS-125MG

METAL GEAR SLIM WING

4.8 V Torque : 3 kg.cm
 4.8 V Speed : 0.17 sec/60°
 6.0 V Torque : 3.5 kg.cm
 6.0 V Speed : 0.13 sec/60°
 Dimensions : 30 x 10 x 34 mm
 Weight : 24 g
 Stock# 32125S



HS-225BB

MIGHTY MINI

4.8 V Torque : 3.9 kg.cm
 4.8 V Speed : 0.14 sec/60°
 6.0 V Torque : 4.8 kg.cm
 6.0 V Speed : 0.11 sec/60°
 Dimensions : 32.4 x 16.8 x 31 mm
 Weight : 27 g
 Stock# 31225S



HS-225MG

METAL GEAR MIGHTY MINI

4.8 V Torque : 3.9 kg.cm
 4.8 V Speed : 0.14 sec/60°
 6.0 V Torque : 4.8 kg.cm
 6.0 V Speed : 0.11 sec/60°
 Dimensions : 32.4 x 16.8 x 31 mm
 Weight : 31 g
 Stock# 32225S



Analog Standard Sport

HS-75BB

RETRACT

4.8 V Torque : 6.6 kg-cm
 4.8 V Speed : 0.45 sec/60°
 6.0 V Torque : 8.2 kg-cm
 6.0 V Speed : 0.34 sec/60°
 Dimensions : 44 x 23 x 25 mm
 Weight : 35 g

Stock# 310755



HS-77BB

LOW PROFILE

4.8 V Torque : 4.4 kg-cm
 4.8 V Speed : 0.18 sec/60°
 6.0 V Torque : 5.5 kg-cm
 6.0 V Speed : 0.14 sec/60°
 Dimensions : 44 x 23 x 25 mm
 Weight : 35 g

Stock# 310775



HS-311

STANDARD ECONOMY

4.8 V Torque : 3 kg-cm
 4.8 V Speed : 0.19 sec/60°
 6.0 V Torque : 3.7 kg-cm
 6.0 V Speed : 0.15 sec/60°
 Dimensions : 40 x 20 x 36.5 mm
 Weight : 43 g

Stock# 313115



HS-322HD

STANDARD HEAVY DUTY

4.8 V Torque : 3 kg-cm
 4.8 V Speed : 0.19 sec/60°
 6.0 V Torque : 3.7 kg-cm
 6.0 V Speed : 0.15 sec/60°
 Dimensions : 40 x 20 x 36.5 mm
 Weight : 43 g

Stock# 333225



HS-325HB

STANDARD BALL BEARING

4.8 V Torque : 3 kg-cm
 4.8 V Speed : 0.19 sec/60°
 6.0 V Torque : 3.7 kg-cm
 6.0 V Speed : 0.15 sec/60°
 Dimensions : 40 x 20 x 36.5 mm
 Weight : 43 g

Stock# 333255



HS-422

DELUXE STANDARD

4.8 V Torque : 3.3 kg-cm
 4.8 V Speed : 0.21 sec/60°
 6.0 V Torque : 4.1 kg-cm
 6.0 V Speed : 0.16 sec/60°
 Dimensions : 40.6 x 19.8 x 36.6 mm
 Weight : 45.5 g

Stock# 314225



HS-425BB

DELUXE BALL BEARING

4.8 V Torque : 3.3 kg-cm
 4.8 V Speed : 0.21 sec/60°
 6.0 V Torque : 4.1 kg-cm
 6.0 V Speed : 0.16 sec/60°
 Dimensions : 40.6 x 19.8 x 36.6 mm
 Weight : 45.5 g

Stock# 314255



HS-485HB

DELUXE HD BALL BEARING

4.8 V Torque : 4.8 kg-cm
 4.8 V Speed : 0.22 sec/60°
 6.0 V Torque : 6.0 kg-cm
 6.0 V Speed : 0.18 sec/60°
 Dimensions : 39.8 x 19.8 x 38 mm
 Weight : 45 g

Stock# 334855



HS-430BH

HV DELUXE BALL BEARING

6.0 V Torque : 4.1 kg-cm
 6.0 V Speed : 0.16 sec/60°
 7.4 V Torque : 5 kg-cm
 7.4 V Speed : 0.14 sec/60°
 Dimensions : 40.6 x 19.8 x 36.6 mm
 Weight : 45.5 g

Stock# 314305

HV



Analog Premium Sport

HS-625MG

HIGH SPEED METAL GEAR

4.8 V Torque : 5.5 kg-cm
 4.8 V Speed : 0.18 sec/60°
 6.0 V Torque : 6.8 kg-cm
 6.0 V Speed : 0.15 sec/60°
 Dimensions : 40.6 x 19.8 x 37.8 mm
 Weight : 55.2 g

Stock# 326255



HS-635HB

HIGHTORQUE KARBONITE

4.8 V Torque : 5 kg-cm
 4.8 V Speed : 0.18 sec/60°
 6.0 V Torque : 6 kg-cm
 6.0 V Speed : 0.15 sec/60°
 Dimensions : 40.6 x 19.8 x 38.8 mm
 Weight : 50 g

Stock# 336355



HS-645MG

HIGHTORQUE METAL GEAR

4.8 V Torque : 7.7 kg-cm
 4.8 V Speed : 0.24 sec/60°
 6.0 V Torque : 9.6 kg-cm
 6.0 V Speed : 0.20 sec/60°
 Dimensions : 40.6 x 19.8 x 37.3 mm
 Weight : 55.2 g

Stock# 326455



HS-965MG

HIGH SPEED CORELESS

4.8 V Torque : 7.4 kg-cm
 4.8 V Speed : 0.13 sec/60°
 6.0 V Torque : 9.5 kg-cm
 6.0 V Speed : 0.10 sec/60°
 Dimensions : 40 x 20 x 37 mm
 Weight : 62 g

Stock# 32965



HS-985MG

HIGHTORQUE CORELESS

4.8 V Torque : 9.6 kg-cm
 4.8 V Speed : 0.16 sec/60°
 6.0 V Torque : 12.4 kg-cm
 6.0 V Speed : 0.13 sec/60°
 Dimensions : 40 x 20 x 37 mm
 Weight : 62 g

Stock# 32985



Analog Giant Scale



HS-755MG
METAL GEAR QUARTER SCALE
4.8 V Torque : 12.0 kg.cm
4.8 V Speed : 0.28 sec/60°
6.0 V Torque : 14.4 kg.cm
6.0 V Speed : 0.23 sec/60°
Dimensions : 59 x 29 x 50 mm
Weight : 117 g
Stock# 32755



HS-755HB
KARBONITE QUARTER SCALE
4.8 V Torque : 11 kg.cm
4.8 V Speed : 0.28 sec/60°
6.0 V Torque : 13.2 kg.cm
6.0 V Speed : 0.23 sec/60°
Dimensions : 59 x 29 x 50 mm
Weight : 110 g
Stock# 33755



HS-805BB
MEGA QUARTER SCALE
4.8 V Torque : 19.8 kg.cm
4.8 V Speed : 0.19 sec/60°
6.0 V Torque : 24.7 kg.cm
6.0 V Speed : 0.14 sec/60°
Dimensions : 66 x 30 x 57.6 mm
Weight : 152 g
Stock# 31805S



HS-805MG
MEGA METAL QUARTER SCALE
4.8 V Torque : 19.8 kg.cm
4.8 V Speed : 0.19 sec/60°
6.0 V Torque : 24.7 kg.cm
6.0 V Speed : 0.14 sec/60°
Dimensions : 66 x 30 x 57.6 mm
Weight : 157 g
Stock# 32805S

Analog Sailboat

HS-765HB
SAIL CONTROL

4.8 V Torque : 11 kg.cm
4.8 V Speed : 0.28 sec/60°
6.0 V Torque : 13.2 kg.cm
6.0 V Speed : 0.23 sec/60°
Dimensions : 59 x 29 x 50 mm
Weight : 110 g
Stock# 33765S



HS-815BB
MEGA SAIL

4.8 V Torque : 19.8 kg.cm
4.8 V Speed : 0.19 sec/60°
6.0 V Torque : 24.7 kg.cm
6.0 V Speed : 0.14 sec/60°
Dimensions : 66 x 30 x 57.6 mm
Weight : 152g
Stock# 31815S



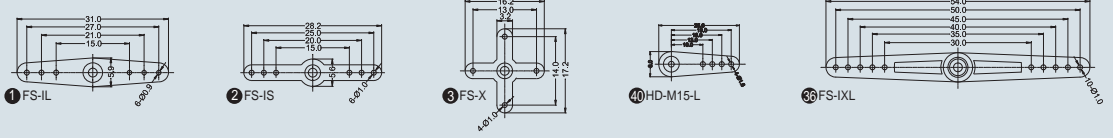
HS-785HB
WINCH SERVO

4.8 V Torque : 11 kg.cm
4.8 V Speed : 1.68 sec/360°
6.0 V Torque : 13.2 kg.cm
6.0 V Speed : 1.38 sec/60°
Dimensions : 59 x 29 x 50 mm
Weight : 110 g
Stock# 33785S

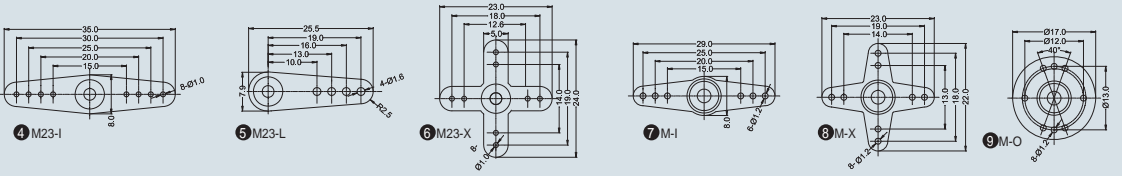


Servo Accessories 45 Types

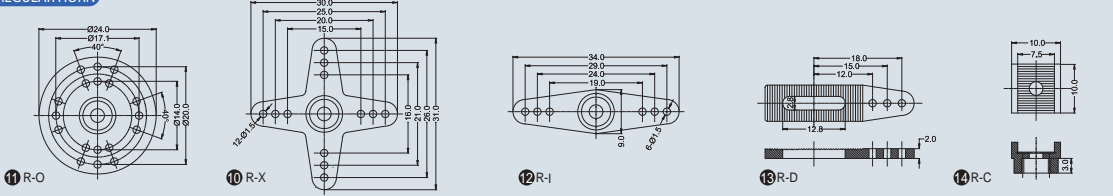
FEATHER HORN



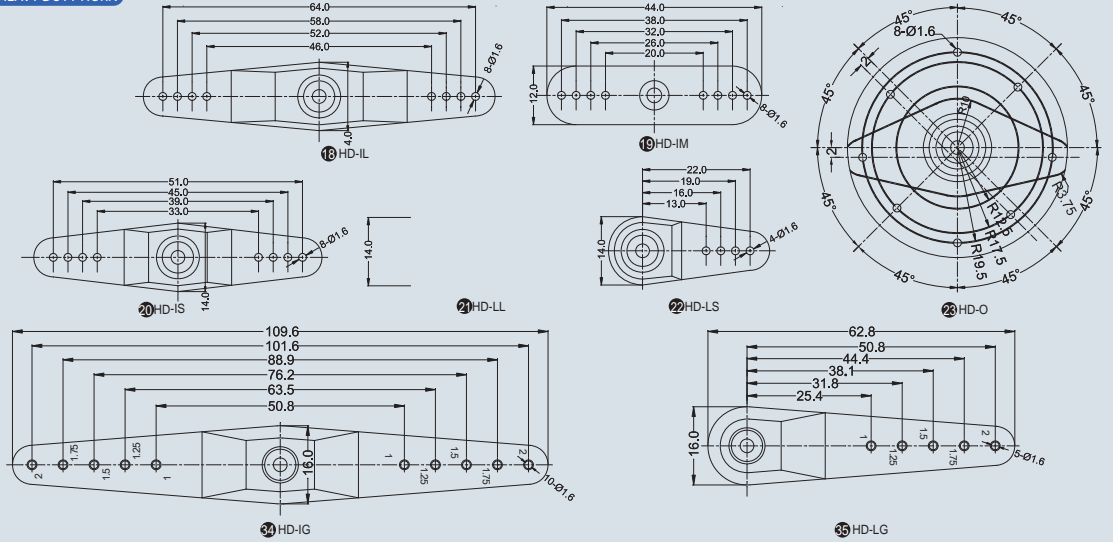
MICRO HORN



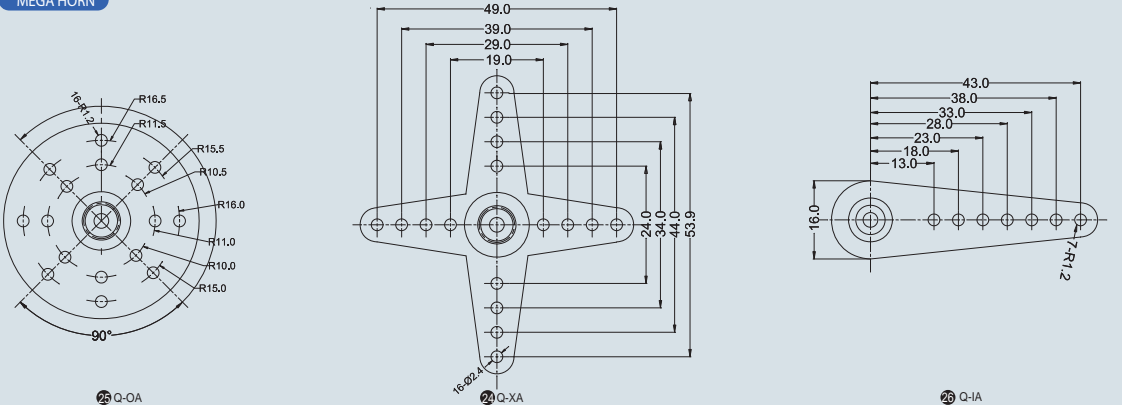
REGULAR HORN

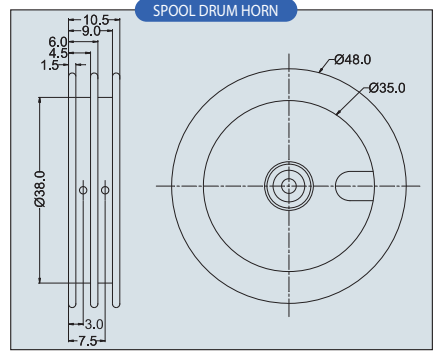
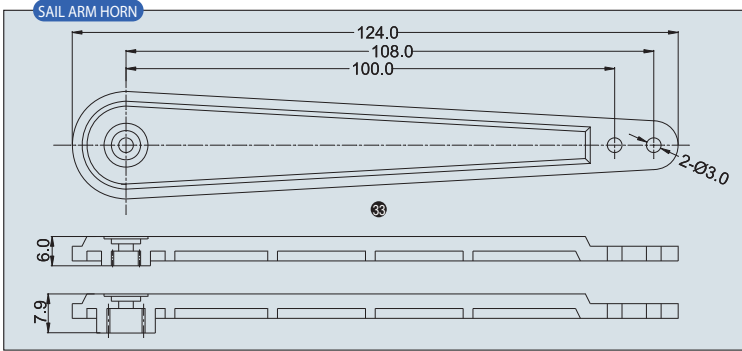
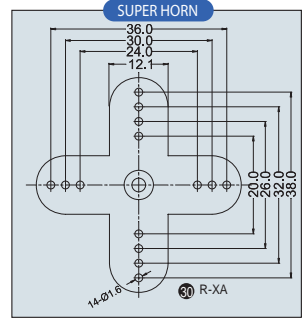
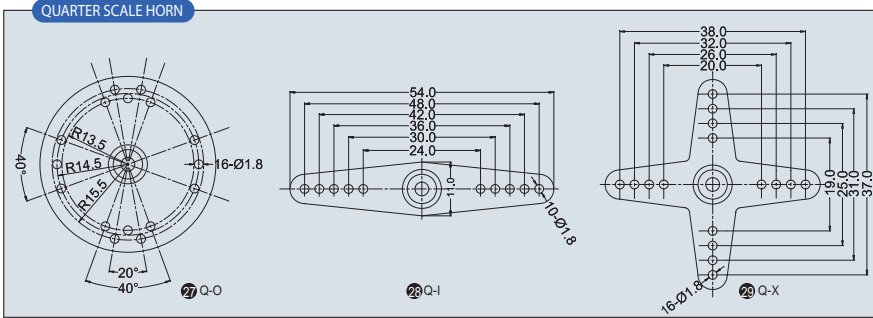
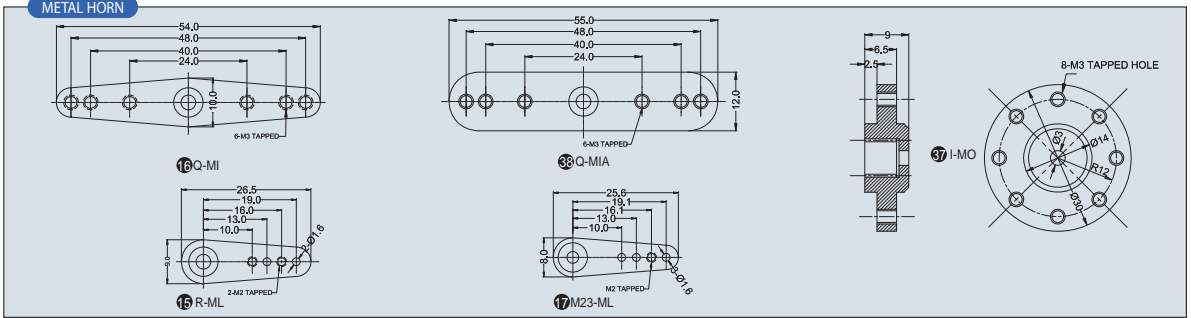


HEAVY DUTY HORN



MEGA HORN

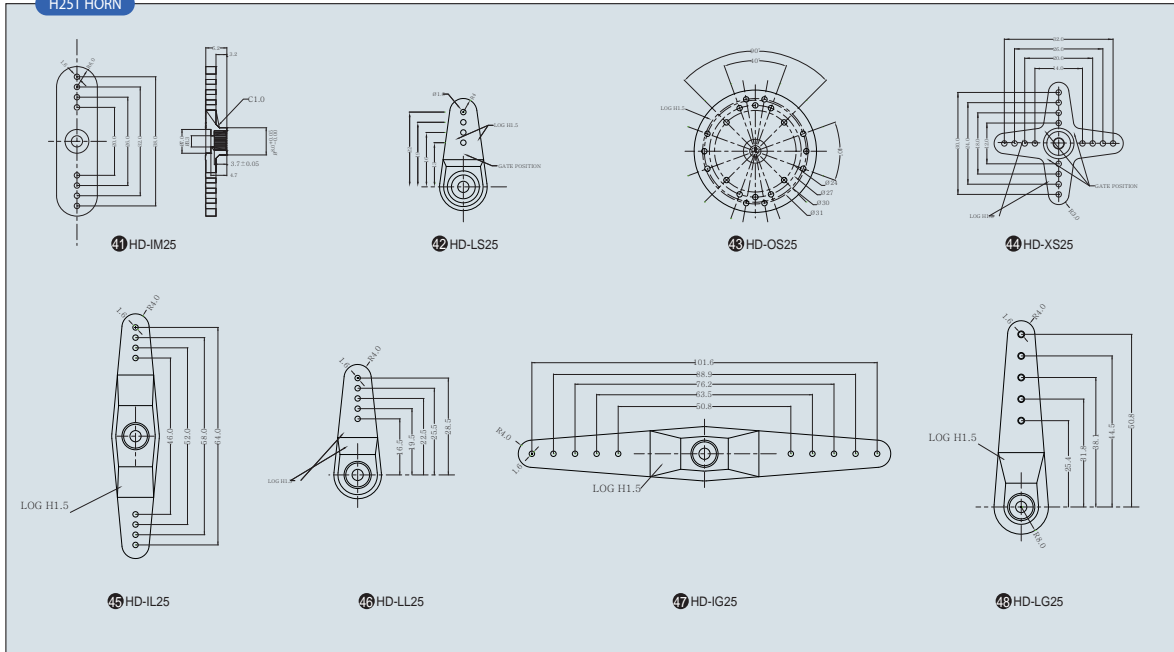




Servo Horn & Hardware Set

	Horn No.	Servo/Horn & Hardware	Servos
55709	18 20 21 22 23	HEAVY DUTY SPLINED HORN SET	HS-765/5745/5925/5945/5975/6965/6985/7966/6(7)975/5(7)955/7954/7940/7950/7945TH/5646WP
55710	20 22 23	HEAVY DUTY SPLINED HORN SET	HS-475/625/645/925/945/5475/5625/6635/965/985/5965/5985MG/5565/5585MH
55706	5	MICRO SPLINED HORN SET (2PC)	HS-125MG/5125MG
55707	17	METAL SPLINED HORN (HALF 1PC)	HS-5125MG
55708	1 2 3 3B	FEATHER SPLINED HORN SET	HS-45/50/55/5045HB/5055MG / 3SHD HORN SET / 5035HD
55711	4 5 6	MICRO SPLINED HORN SET	HS-56HB/5056MG HORN SET
55718	4 5 6	MICRO SPLINED HORN SET	HS-65HB/65MG/ 5065MG / A5076HB HORN & HARDWARE SET
55712	20 22 23	HEAVY DUTY SPLINED HORN SET	HS-635HB
55713	18 20 21 22	HEAVY DUTY SPLINED HORN SET	HS-755HB/755MG
55701	15	METAL SPLINED HORN SET (STANDARD HALF 1PC)	HS-5245/5625/5645/5925/5945MG/7235/7245MH
55702	16	METAL SPLINED HORN (1PC)	HS-5745MG
56315	10 11 12 16 18	REGULAR SPLINED HORN SET	HS-77/725/300/303/422/525/545/605/625/645/485/7235/7245MH
56336		REGULAR SPLINED HARDWARE	HS-75/77/725/311/322/325/422/425/525/545/5245MG
56317	10 11 12 16 18	REGULAR SPLINED HORN & HARDWARE	HS-75/77/725/311/322/325/422/425/525/545/5245MG/7775MG/7235/7245MH/4308H
56316	27 28 29	QUARTER SCALE SPLINED HORN SET	HS-705MG
56340		QUARTER SCALE SPLINED HARDWARE SET	HS-705MG
56326	7 8 9	MICRO SPLINED HORN SET	HS-81/82/85/5082MG/5085MG/HS-G-5083MG/5087MH
56327	7 8 9	MICRO SPLINED HORN & HARDWARE SET	HS-81/82/85 /5087MH
56318	24 25	MEGA SPLINED HORN & HARDWARE SET	HS-8058B+/8158B/ 5805MG/5765MH
56314	32	SPOOL DRUM SPLINED (1PC)	HS-7858B
56361	33	SAIL ARM SPLINED (1PC)	HS-765HB
56362	33	SAIL ARM SPLINED (1PC)	HS-815HB
56402	30	SUPER SPLINED HORN (2PCS)	HS-225/311/475/525/545/625/645/925/945/5475/5625/5925/5945/6635HB/5646WP/ 640WP
55714	16	HEAVY DUTY HORN SET FOR CAR USAGE	HSC-5996/5997/5998TG/7775MG and other Standard Servos
55726	24 25	GIANT HORN SET FOR REGULAR SERVO (HD-IG/LG)	HS-7980TH/HS-M7990TH
55725	24 25 26	MEGA SPLINED HORN & HARDWARE SET	HS-5755MG / 5765MH HORN SET
55728	20 22 23 30	HEAVY DUTY HORN SET	HS-54958B / 5496MH
55723	35	METAL SPLINED HORN (Q-MIA)	HS-805MG/5805MG/5755MG/5765MH
55729	40	HS-7115 RESIN HORN SET	HS-7115TH

H2ST HORN



H2ST HORN SET

	Horn No.	Servo/Horn & Hardware	Servos
55732	43 45 46 47 48	H2ST HEAVY DUTY HORN & HARDWARE SET FOR AIRPLANE	HS-8360/8370/8380/8385/8361/8381TH/8330/8335SH/HSB-9360/9370/9380TH/9465/9475/9485SH
55733	41 42 43 44	H2ST HEAVY DUTY HORN & HARDWARE SET FOR AIRPLANE	HS-8360/8370/8380TH/8330/8335SH/8775MG/HS-G-8315BH/HSB-9360/9370/9380TH/9465/9475/9485SH

HEAVY DUTY AILERON EXTENSIONS / HEAVY DUTY MALE & FEMALE SERVO CONNECTORS

Stock #	Extensions/Connectors
546015	Male Servo Connector with Heavy Gauge Wire, Gold Pins
546025	Female Servo Connector with Heavy Gauge Wire, Gold Pins
546035	6" Heavy Gauge Wire Aileron Extension with Gold Pins
546045	12" Heavy Gauge Wire Aileron Extension with Gold Pins
546055	24" Heavy Gauge Wire Aileron Extension with Gold Pins
546065	36" Heavy Gauge Wire Aileron Extension with Gold Pins

HEAVY DUTY SERVO CONNECTOR

Stock #	Connector (HITEC "S")
546015	HITEC "S" HEAVY DUTY SERVO CONNECTOR
546025	HITEC "S" HEAVY DUTY FEMALE SERVO CONNECTOR
55745	HITEC "S" HEAVY DUTY SERVO CONNECTOR LONG (250mm)
55810	HITEC "S" HEAVY DUTY SERVO CONNECTOR LONG (300mm)
55750	"S" HEAVY DUTY SERVO CONNECTOR LONG (300mm) FLAT TYPE
55749	"S" HEAVY DUTY SERVO CONNECTOR LONG (300mm) FLAT TYPE FOR GYRO SERVO

CONNECTOR

Stock #	Other MISC
56210	FEMALE RED BEC CONNECTOR
56211	MALE RED BEC CONNECTOR
57444	HITEC "S" HOUSING & PIN ONE SET
54801	HITEC "S" HOUSING & GOLD PIN ONE SET
57417	3 COLOR SERVO WIRE 50ft (15.24m)
54804	3 COLOR HEAVY GAUGE SERVO WIRE 50ft (15.24m)

"Y" EXTENSIONS

Stock #	Extensions
57351S	6" "Y" Harness
57350S	24" "Y" Harness
54701S	6" Heavy Duty "Y" Harness with Gold Pins
54702S	24" Heavy Duty "Y" Harness with Gold Pins

AILERON EXTENSIONS

Stock #	Extensions
57344	6" Servo Extension
57345	12" Servo Extension
57346	24" Servo Extension
57347	36" Servo Extension

LIGHT WEIGHT SERVO CONNECTOR

Stock #	Connector (HITEC "S")
54657	HS-35HD/5035HD SERVO CONNECTOR (250mm)

REGULAR SERVO CONNECTOR

Stock #	Connector (HITEC "S")
57342S	HITEC "S" SERVO CONNECTOR
57343S	HITEC "S" FEMALE SERVO CONNECTOR

HEAVY DUTY "TWISTED" Wiring (Specifically Designed for Digital Servo Applications)

Stock #	Wiring
54607S	MALE Servo Connector with Heavy Gauge "TWISTED" Wire, Gold Pins
54608S	FEMALE Servo Connector with Heavy Gauge "TWISTED" Wire, Gold Pins
54609S	6" Heavy Gauge "TWISTED" Wire Aileron Extension with Gold Pins
54610S	12" Heavy Gauge "TWISTED" Wire Aileron Extension with Gold Pins
54611S	24" Heavy Gauge "TWISTED" Wire Aileron Extension with Gold Pins
54612S	36" Heavy Gauge "TWISTED" Wire Aileron Extension with Gold Pins
54703S	6" Heavy Gauge "TWISTED" Wire "Y" Harness with Gold Pins
54704S	24" Heavy Gauge "TWISTED" Wire "Y" Harness with Gold Pins
55810S	Twisted Heavy Duty Servo Connector

HEAVY DUTY "FLAT TYPE" WIRING

Stock #	Heavy Extensions
55748	HEAVY DUTY EXTENSION WIRE (300mm) FLAT TYPE

SERVO GEAR SET (TITANIUM)

Stock #	Servo
55351	HS-7940 TITANIUM GEAR SET
55352	HS-7945 TITANIUM GEAR SET
55353	HS-7950 TITANIUM GEAR SET

Stock #	Servo
55373	HS-8360/8361/HSB-9360 TITANIUM GEAR SET
55374	HS-8370/HSB-9370 TITANIUM GEAR SET
55375	HS-8380/8381/HSB-9380 TITANIUM GEAR SET

SERVO GEAR SET (NYLON & KARBONITE)

Stock #	Servo
55001	HS-55 GEAR SET
55002	HS-311/322/325BB GEAR SET
55003	HS-322HD/325HB KARBONITE GEAR SET
55004	HS-475HB/5475HB KARBONITE GEAR SET
55005	HS-5975/6975/7975HB KARBONITE GEAR SET (w/o Ball Bearing)
55006	HS-635HB/HS-6635HB KARBONITE GEAR SET
55007	HS-56HB KARBONITE GEAR SET
55008	HS-755HB KARBONITE GEAR SET
55009	HS(CI-6965/7966HB KARBONITE GEAR SET (w/o Ball Bearing)
56334	HS-422/HS-425/HS-430BH GEAR SET
56345	HS-525BB GEAR SET
56346	HS-545BB GEAR SET
56319	HS-605BB GEAR SET
55010	HS-6985HB KARBONITE GEAR SET WITH BALL BEARINGS
56405	HS-A5076HB KARBONITE GEAR SET (w/o 1st Gear)
55367	HS-40 GEAR SET
56355	HS-50 GEAR SET

Stock #	Servo
55011	HS-765HB KARBONITE GEAR SET
55012	HS-785HB KARBONITE GEAR SET
55013	HS-65HB KARBONITE GEAR SET
55025	HS-45HB/5045HB KARBONITE GEAR SET (w/o 1st Gear)
56403	HS-81 GEAR SET
56365	HS-85BB+ GEAR SET
56343	HS-75BB GEAR SET
56370	HS-77BB GEAR SET
56390	HS-700BB GEAR SET
56360	HS-715BB GEAR SET
56348	HS-725BB GEAR SET
56350	HS-805BB/HS-815BB GEAR SET
56341	HS-205BB/225BB/5565MH GEAR SET
56325	HS-300/HS-300BB/HS-303 GEAR SET
56408	HS-35HD/ 5035HD KARBONITE GEAR SET
55030	HS-5485HB/485HB/5495HB KARBONITE GEAR SET
55330	HS-8315BH KARBONITE GEAR SET

SERVO GEAR SET (METAL & STEEL) NOTE - MK: Metal Karbonite, MP: Metal Plastic

Stock #	Servo
56383	HS-945MG/5945MG METAL GEAR (MP first gear)
55014	HS-965/985/5965/5985/5995/5996/5997/7954/ MK 1st GEAR (3PCS)
55015	HS-925/945/5925/5945 MP FIRST GEAR SET (3PCS)
55016	HS-625/645/562(6)/564(8)/5/5646WP MP 1st GEAR SET
55017	HS-5745 MP FIRST GEAR SET (3PCS)
55018	HS-225/5245/7235MH/7245MH MP FIRST GEAR SET (3PCS)
55019	HS-125/5125 MP FIRST GEAR SET (3PCS)
55023	HS-5083MG MP FIRST GEAR SET (1PCS)
55302	HS-625MG/562(6)/5MG METAL GEAR SET (MP FIRST GEAR)
55303	HS-645MG/564(8)/5MG METAL GEAR SET (MP 1st GEAR)
56410	HS-805MG/5805MG GEAR SET
55333	HS-7980TH/M/7990TH GEAR SET/ MK 1st GEAR (3PCS)
55338	HS-7235MH GEAR SET
55344	HS-7115TH MK 1st GEAR
55355	HS-8330SH GEAR SET
55366	HS-8335SH GEAR SET
55364	HS-8775MG METAL GEAR SET
55356	HS-8330/8335SH MK 1ST GEAR SET (3PCS)

Stock #	Servo
55304	HS-5735MG METAL GEAR SET (MP FIRST GEAR)
56398	HS-705MG METAL GEAR SET
56382	HS-925MG/5925MG METAL GEAR (MP first gear)
55301	HS-5125MG/HS-125MG GEAR SET
56386	HS-81MG METAL GEAR SET (ALL METAL)
56388	HS-85MG/5085MG/5087MH METAL GEAR SET
56394	HS-525MG METAL GEAR SET
56396	HS-205/225MG/5245MG/7245MH METAL GEAR SET
56397	HS-605MG METAL GEAR SET
55313	HS-965MG / 5965MG / 7965MG METAL GEAR SET (MK FIRST GEAR)
55328	HS-7775MG METAL GEAR SET
55329	HS-5755MG GEAR SET
55339	HS-5765MH METAL GEAR SET
55346	HS-5765MH 1st GEAR (3PCS)
55357	HS-7775/8775MG 1ST GEAR SET (3PCS)
55305	HS-5646WP/646WP GEAR SET (NOT FOR SALE, ONLY FOR YOUR REPAIR SERVICE)
55369	HSB-9485SH GEAR SET

Stock #	Servo
55314	HS-985MG / 5985MG / 7985MG METAL GEAR SET (MK FIRST GEAR)
55315	HS-65MG/5065MG METAL GEAR SET
55316	HS-755MG METAL GEAR SET
55021	HS-5083MG METAL GEAR SET
55323	HS-5055MG METAL GEAR SET
55324	HS-5056MG METAL GEAR SET
55021	HS-5083MG METAL GEAR SET (MP FIRST GEAR)
56377	HS-79454SH STEEL GEAR SET
55326	HS-7940/7945/7950/8360/8370/8380TH MK 1st GEAR SET (3PCS)
56388	HS-85/5086/5087 METAL GEAR SET
55335	HS-5496MH METAL GEAR SET
55342	HS-5565/5585 MK 1st GEAR SET(3pcs.)
55341	HS-5565MH METAL GEAR SET
55343	HS-5585MH METAL GEAR SET
55376	HSB-9465SH GEAR SET
55377	HSB-9475SH GEAR SET
55370	HSB-9465/9475/9485SH MP 1ST GEAR SET (3PCS)

SERVO CASE SET

Stock #	Servo
55409	HS-475HB/5475HB CASE SET
55410	HS-5975/(CI)6965/6975/6985/7966/7975HB CASE SET
55403	HS-311/322/325BB/322HD/325HB CASE SET
55408	HS-5125MG/HS-125MG CASE SET
56354	HS-50 CASE SET
55404	HS-50 CASE SET (BLUE)
55401	HS-55 CASE SET
55405	HS-55/5055MG CASE SET (BLUE)
55412	HS-56HB / 5056MG CASE SET
55418	HS-65HB / 65MG / 5065MG CASE SET
56404	HS-81/81MG CASE SET
56323	HS-80 & HS-80MG CASE SET
56366	HS-85BB/HS-85MG/5085MG/5087MH CASE SET
56409	HS-35HD/5035HD CASE SET
55436	HS-5665/55685MH CASE SET
55434	HS-646WP/5646WP CASE SET
55446	HS-40 CASE SET

Stock #	Servo
56344	HS-75BB/77BB CASE SETS
55428	HS-45HB/5045HB CASE SET (BOTTOM & TOP CASE ONLY)
56342	HS-225MG/225BB/5245MG CASE SET
55421	HS-5083MG CASE SET
56339	HS-422/425BB/HS-430BH CASE SET
56347	HS-525/545BB CASE SET
56320	HS-605BB/605MG/615MG CASE SET
55402	HS-625MG/645MG/5625MG/5645MG CASE SET
55411	HS-635HB/HS-6635HB CASE SET
56391	HS-700BB/705MG/715BB CASE SETS
56349	HS-725BB CASE SET
55413	HS-755/765/755MG CASE SET
55406	HS-5735MG CASE SET (W/O ALUMINUM HEAT SINK)
56415	HS-7980TH/M/7990TH CASE SET
55437	HS-785HB CASE SET
56414	HS-5755MG/5765MH CASE SET (W/O HEAT SINK)
55451	HSB-9465/855H CASE SET

Stock #	Servo
56352	HS-805BB+/HS-815BB/805MG/5805MG CASE SET
56351	HS-925MG/945MG/5925MG/5945MG CASE SET
55415	HS-5745MG CASE SET (W/O ALUMINUM HEAT SINK)
55414	HS(CI-5955/5996/5997/5998/7955/7954/8330/8335 CASE SET (w/o Heat Sink)
55416	HSR-5995TG CASE SET
55419	HS-5955TG CASE SET
55423	HS-965/985/5965/5985/7965/7985MG CASE SET
55430	HS-5485HB/485HB/5495HB/5496MH/5565/5585 CASE SET
56407	HS-7940/7945/7950/8360/8370/8380 MK 1st GEAR SET (W/O Heat Sink)
56406	HS-A5076HB CASE SET (Blue)
55433	HS-7775/8775MG CASE SET
56414	HS-5755MG/5765MH CASE SET
55336	HS-7245MH GEAR SET
55345	HS-7940/7945/7950/HSB-9360/9370/9380TH MPD 1st GEAR SET(1pc)
55439	HS-7115TH CASE SET
55440	HS-5565MH/5585MH CASE SET



OTHER SERVO ACCESSORIES

Stock #	Part
55801	SERVO HORN SCREW FOR HITEC NYLON GEAR SERVOS (Mini x 5 PCS / Regular x 5 PCS)
55802	SERVO HORN SCREW FOR HITEC METAL GEAR SERVOS (Mini x 5 PCS / Regular x 5 PCS)
56306	VERTICAL MOUNT SET (4PCS) FOR (HS-60/81/85BB)
56307	SERVO WING MOUNT SET (HS-80/81, FP-5143, NES-341, 94501)
56361	SAIL ARM (1PCS) FOR HS-715BB /HS-765HB
56362	SAIL ARM (1PCS) FOR HS-815BB
58475	BALL BEARING FOR HS-5086WP
58499	ULTRA DUTY RUDDER TRAY CONVERSION SET FOR HS-7954SH/7955TG



#55801



#55802



#56306



#58473



#58450



#56336



#55011



#56403



#55009



#55301



#55302



#55014

Accessories

Miscellaneous Transmitter Accessories

Stock #	Part
54306	TUNING COVER FOR AGGRESSOR (PAINTABLE CLEAR, RED, BLUE)
54307	TUNING COVER FOR AGGRESSOR (CAMOUFLAGE)
54308	TUNING COVER FOR AGGRESSOR (SILVER CARBON)
54309	GRIP PAD FOR AGGRESSOR (THIN : RED, BLUE, BLACK)
54310	GRIP PAD FOR AGGRESSOR (THICK : RED, BLUE, BLACK)
54302	CH.1 AND 2 ATV FUNCTION ACCESSORY FOR NEON SS FM
54303	TRAINER PLUG AND SWITCH ACCESSORY FOR NEON SS FM
54304	CH 1 & 2 DUAL RATE SWITCH FOR NEON SS FM (MUST USE #54302 ATV BOARD)
54305	4TH CH THREE POSITION SWITCH ACCESSORY FOR NEON SS FM
55839	Control Stick Metal Knob (Red Color - For Laser, Optic, Eclipse, & Aurora)
55838	Control Stick Metal Knob (Silver Color - For Laser, Optic, Eclipse, & Aurora)
58310	ONE WAY TRAINER CORD (Between 8 Cells Batteries Radio)
58311	NECK STRAP (Red)
58312	NECK STRAP (Black)
58314	THRITTLE SPRING DEFEAT WITH SCREW FOR FOCUS 35S/RANGER 2Z
54301	DSC DIRECT SERVO CONTROL CONNECTOR FOR LYNX 3D
58320	TRAINER CORD (Between 6CELL BATTERY TXs)
58321	TRAINER CABLE FULL PACKAGE (#58320 + Slave DIN + Master DIN) - For use between a 6 cell transmitter battery system and 8 cell transmitter battery system.)
58318	SIC HE (HU + EU) Complete SIC package
55843	Transmitter Balancer
55445	Aluminum Transmitter Carrying Case
55854	HTS-AS (AIR SPEED)
55859	HTS-SM (SERVO MANAGER)
55860	HTS-VM (VARIOMETER)
55861	HTS-E TEMP (ENGINE TEMP)



TX & RX Battery Holder & Switch Harness

Stock #	Battery Holder & Switch Harness Part
54409	TX BATTERY HOLDER FOR OPTIC 6 /NEON SS FM
54410	TX BATTERY HOLDER FOR AGGRESSOR SERIES
57201	LOW CHANNEL RECEIVER BATTERY BOX
57216	HIGH CHANNEL RECEIVER BATTERY BOX
58101	PRISM/FLASH/LYNX/FOCUS SS TX BATTERY HOLDER
57202S	LOW CHANNEL SWITCH HARNESS
57203	SWITCH HARNESS & BATTERY BOX (7201 + 7202)
57215S	HITEC "S" HIGH CHANNEL SWITCH HARNESS WITH RX CHARGER CORD
54407S	HITEC "S" HEAVY DUTY HIGH CHANNEL SWITCH HARNESS WITH RX CHARGER
57217	SWITCH HARNESS & BATTERY BOX (7215 + 7216)
54401	SWITCH HARNESS WITH RX CHARGER CORD (USED WITH DSC CORD)
54402	MINI SIZE (AAA SIZE) RECEIVER BATTERY BOX S-01
54403	MICRO SWITCH HARNESS
54404	MICRO S/W HARNESS & AAA SIZE BATT. BOX (54402+54403)



2.4GHz System Accessories

Stock #	Battery Holder & Switch Harness Part
54411	External Set Up Switch for Optima 9ch Receiver
57437	SPC Wire Connector(J) (2pcs)
57438	SPC Jumper Key (3pcs)
58108	Adjustable Spectra 2.4 Antenna Base for Transmitters (Hitec, Futaba Models)
55833	HTS-ORPM (Optical RPM Sensor)
55842	HTS-MRPM (Magnetic RPM Sensor)
55834	HTS-TEMP (Temperature Sensor)
55835	HTS-FUEL (Fuel Sensor)
55836	HTS-GPS (GPS Sensor)
44470	Telemetry Monitoring PC Software (*Requires HPP-22)
58474	BODA Antenna Holder (10pcs)
58008	M-BODA (Mini Omni-Directional Antenna) for Atom 3
55851	HTS-VOLT (Voltage Sensor - measure up to 100V)
55850	HTS-C50 (Current Sensor - measure up to 50Amp, 0.1A/unit)
55855	HTS-C200 (Current Sensor - measure up to 200Amp, 1.0A/unit)
55751	Telemetry Extension wire for HTS-Temp, HTS-E Temp
55752	Telemetry Extension wire for HTS-Volt
55753	Telemetry Extension wire for HTS-M RPM, HTS-O RPM, HTS-C50/C200
55754	Telemetry Extension wire for HTS-GPS, HTS-AS, HTS-SM, HTS-VM
55755	Telemetry Extension wire for HTS-FUEL



TX & RX Charger Cord

Stock #	Charger Cord
56371	TX CHARGER CORD
56375	BANANA JACK W/ 8CELL TX CHARGER CORD
56376	BANANA JACK W/ 6CELL TX CHARGER CORD
57372	RX CHARGER CORD (500mm)
57376	BANANA JACK W/RX CHARGER CORD
57377	TX & RX CHARGER CORD WITH BANANA JACK (56375 + 57376)
57416	ADAPTOR TO CHARGE 2CH RX NICD
58307	ADAPTOR TO CHARGE PRISM/FLASH TX NICD



TX & RX Antenna

Stock #	Antenna
58001	ANTENNA FOR RANGER 2N AM & FM /AGGRESSOR AM
58004	ANTENNA FOR FOCUS / FLASH /NEON SS FM
58005	ANTENNA FOR OPTIC 6/ECLIPSE /LASER /PRISM
58011	REGULAR RECEIVER ANTENNA FOR AIR USAGE
58006	ANTENNA FOR LYNX 3D
58007	ANTENNA FOR LYNX SPORT /RANGER 2Z
54001	FEATHER RECEIVER GREEN ANTENNA FOR AIR USAGE (WITH BOBBIN)
54002	REGULAR RECEIVER RED ANTENNA FOR SURFACE USAGE



AIRCRAFT PARTS

Stock #	SKY SCOUT Part
57009	SKY SCOUT PROP HUB SET
57010	SKY SCOUT REPLACEMENT PROPS
57011	SKY SCOUT DECAL SHEET SET
57012	SKY SCOUT MOTOR
57013	SKY SCOUT ESC
57014	SKY SCOUT BATTERY

Stock #	SKY SCOUT Jr Part
57016	SKY SCOUT Jr PROP SPINNER SET
57017	SKY SCOUT Jr DECAL SHEET SET
57018	SKY SCOUT Jr MOTOR
57019	SKY SCOUT Jr ESC
57020	SKY SCOUT Jr BATTERY

Stock #	SKY SCOUT & SKY SCOUT Jr Part (FOR COMMON)	Stock #	
57001	SKY SCOUT & SKY SCOUT Jr FUSELAGE & CANOPY SET	57006	SKY SCOUT & SKY SCOUT Jr CONTROL HORN SET
57002	SKY SCOUT & SKY SCOUT Jr WING & TAIL WING SET	57007	SKY SCOUT & SKY SCOUT Jr CANOPY LATCH SET
57003	SKY SCOUT & SKY SCOUT Jr WING JOINER	57008	SKY SCOUT & SKY SCOUT Jr MOTOR MOUNT SET
57004	SKY SCOUT & SKY SCOUT Jr SERVO MOUNTS	57015	SKY SCOUT & SKY SCOUT Jr CHARGER
57005	SKY SCOUT & SKY SCOUT Jr TAILPLANE CLIP SET		

Merchandise



Die-casted Alloy Transmitter Balancer (Red)
This will give you the best balance position for your Aurora 9. The great look of red colored anodized balancer is the best match with your control knobs.
Stock# 55843 : Red



Die-casted Alloy Control Stick Knob (Red & Silver)
Sharp edged die-case alloy control stick knob can give you the most secured control knob holding power during the flight control.
Stock# 55838 : Silver
Stock# 55839 : Red



Die-casted Alloy Servo Horn (Blue)
Powerful servos requires great servo horn, not only the durability but also the great look, these servo horns feature pre-adjusted spines for a perfect fit.
Stock# 55701 : R-ML
Stock# 55702 : Q-MI
Stock# 55707 : M23-ML
Stock# 55723 : Q-MIA (Blue)



Neck Strap (Red & Black)
Cotton textured Hitec's neck strap will give you a comfortable and soft feeling during the long flight. Adjustable length and Chromed metal hooked neck strap comes in two different colors
Stock# 58311 : Red
Stock# 58312 : Black



Aurora 9 Tray Set (Tray + X-Strap)
Exclusively designed transmitter tray for Aurora 9 is made with durable Acrylic and Die-casted Alloy frames.
Artificial leather palm rests allow you to enjoy a long flight
Stock# 58494 : Aurora 9 Tray



Transmitter AL Case
High quality Aluminum Transmitter Case to protect your valuable investment from damage.
Stock# 55445



Polo Shirt
High quality Polo shirt with silk-screened Hitec logo on front and back.
Stock#55456: M Red
Stock#55460: M Black
Stock#55457: L Red
Stock#55461: L Black
Stock#55458:XL Red
Stock#55462: XL Black
Stock#55459:XXL Red
Stock#55463: XXL Black



T-Shirt
100% cotton T-shirt with silk-screened Team Hitec logo on front and back.
Stock#55448: M Red
Stock#55449: L Red
Stock#55450:XL Red
Stock#55451:XXL Red



Windbreaker
Fashionable, functional windbreaker with Team Hitec logo on front and back.
Stock#55464: M Black
Stock#55465: L Black
Stock#55466: XL Black
Stock#55467: XXL Black



Cap
Stylish baseball cap with embroidered Team Hitec logo.
Stock#55447: Red



Beanie
Stylish Hitec logo Beanie. Hitec logo is knits front side and inside of hat.
Perfect for winter season
Stock#55453: Black

SERVOS LINEUP

■ 2013 New Servo
*DMP = DUAL METAL PLASTIC GEAR

MODEL	PART #	DESCRIPTION	TORQUE 4.8 6.0V Kg/Cm	SPEED 4.8 6.0V SEC.	BEARING	GEAR TYPE	SIZE L x W x H	WEIGHT g								
Digital Micro and Mini																
HS-5035HD	35035	DIGITAL NANO SERVO	0.79 / 1"	0.12 / 1"	NONE	DMP*	18.5 x 7.6 x 15.2	4.5	●	●	●					
HS-5045HB	35045S	AGTT MICRO SERVO	1.0 / 1"	0.12 / 1"	TOP BB	KARBONITE	23.6 x 9.8 x 22.4	8.5	●	●	●					
HS-5055MG	35055S	ECONOMY METAL GEAR FEATHER SERVO	1.3 / 1.6	0.20 / 0.17	NONE	METAL	22.8 x 11.6 x 24	9.5	●	●	●	●				
HS-5056MG	35056S	PREMIUM METAL GEAR FEATHER SERVO	1.2 / 1.4	0.12 / 0.10	TOP BB	METAL	22.6 x 11.6 x 24	12.7	●	●	●	●	●	●		
HS-5065MG	35065S	HIGH TORQUE METAL GEAR FEATHER SERVO	1.8 / 2.2	0.1 / 0.09	TOP BB	METAL	22.6 x 11.6 x 24	11.9	●	●	●	●	●	●		
HS-A5076HB	35076	DIGITAL SLIM	2.5 / 3.0	0.14 / 0.11	TOP BB	KARBONITE	27.6 x 10.8 x 29	14.3	●	●	●					
HS-5085MG	35085S	PREMIUM METAL GEAR MICRO SERVO	3.6 / 4.3	0.17 / 0.13	TOP BB	METAL	29 x 13 x 30	21.9	●	●	●	●				●
HS-5125MG	35125S	SLIM METAL GEAR WING SERVO	3.0 / 3.5	0.17 / 0.13	DUAL BB	METAL	30 x 10 x 34	24	●	●	●					●
HS-5245MG	35245S	MINI METAL GEAR SERVO	4.4 / 5.5	0.15 / 0.12	DUAL BB	METAL	32.4 x 16.8 x 30.8	32	●	●	●	●				●
Digital Sport																
HS-5485HB	35485S	STANDARD KARBONITE DIGITAL SERVO	5.2 / 6.4	0.20 / 0.17	TOP BB	KARBONITE	39.8 x 19.8 x 38	45	●	●	●	●				●
HS-5625MG	35625S	HIGH SPEED METAL GEAR SERVO	7.9 / 9.4	0.17 / 0.14	DUAL BB	METAL	40.6 x 19.8 x 37.8	60	●	●	●	●	●	●		●
HS-5645MG	35645S	HIGH TORQUE METAL GEAR SERVO	10.3 / 12.1	0.23 / 0.18	DUAL BB	METAL	40.6 x 19.8 x 37.8	60	●	●	●	●	●	●		●
HS-6635HB	36635S	HIGH TORQUE KARBONITE SERVO	7.8 / 9.2	0.18 / 0.15	DUAL BB	KARBONITE	39.8 x 19.8 x 39.8	52	●	●	●					●
Digital Premium																
HS-7775MG	37775S	LOW PROFILE MG CORELESS SERVO	7.2 / 9.0	0.12 / 0.10	DUAL BB	METAL	40.4 x 21 x 25.4	49	●	●	●	●				●
HS-7955TG	37955S	HIGH TORQUE TITANIUM GEAR CORELESS SERVO	18.0 / 24.0	0.19 / 0.15	DUAL BB	TITANIUM	40 x 20 x 37	65	●	●	●	●	●	●		●
HS-7965MG	37965S	HIGH SPEED METAL GEAR CORELESS SERVO	80 / 100	0.13 / 0.10	DUAL BB	METAL	40 x 20 x 37	65	●	●	●	●	●	●		●
HS-7966HB	37966S	HIGH SPEED KARBONITE CORELESS SERVO	6.6 / 8.0	0.10 / 0.08	DUAL BB	KARBONITE	40 x 20 x 37	53	●	●	●	●				●
HS-7975HB	37975S	HIGH TORQUE KARBONITE CORELESS SERVO	6.6 / 8.2	0.14 / 0.11	DUAL BB	KARBONITE	40 x 20 x 37	52	●	●	●	●				●
HS-7985MG	37985S	HIGH TORQUE METAL GEAR CORELESS SERVO	10.4 / 12.4	0.16 / 0.13	DUAL BB	METAL	40 x 20 x 37	62	●	●	●	●				●
Digital Giant Scale																
HS-5755MG	35755S	METAL GEAR GIANT SERVO	20.0 / 25.0	0.18 / 0.15	TRIPLE BB	METAL	59 x 29 x 52	172.3	●	●	●	●				●
HS-5805MG	35805S	MEGA METAL GEAR SERVO	19.8 / 24.7	0.19 / 0.14	DUAL BB	METAL	66 x 30 x 57.6	197			●	●				●
Digital Waterproof Micro																
HS-5086WP	37985S	WATERPROOF MICRO SERVO	2.8 / 3.2	0.18 / 0.15	DUAL BB	METAL	31 x 15.2 x 31	24			●	●	●	●		●
HS-5646WP	35645S	WATERPROOF STANDARD SERVO	10.3 / 12.1	0.23 / 0.18	DUAL BB	METAL	41.8 x 21 x 40	58			●	●	●	●		●
Gyro and Tail Rotor																
HSG-5083MG	35083S	MICRO TAIL ROTOR FOR HG-5000 SERVO <small>(not programmable)</small>	1.5 / 1"	0.07 / 1"	TOP BB	METAL	29 x 13 x 30	21.7			●					●
HSG-5084MG	35084S	MICRO HELI TAIL ROTOR SERVO	1.5 / 1.9	0.07 / 0.05	TOP BB	METAL	29 x 13 x 30	21.7			●	●				●
NANO																
HS-35HD	33035S	NANO SERVO	0.8 / 1"	0.12 / 1"	NONE	DMP*	18.8 x 7.6 x 15.5	4.5	●	●						
Micro and Mini																
HS-45HB	33045S	AGTT FEATHER SERVO	1.0 / 1"	0.14 / 1"	TOP BB	KARBONITE	23.6 x 9.8 x 22.4	8	●	●	●					
HS-55	31055S	ECONOMY FEATHER SERVO	1.2 / 1.5		NONE	NYLON	22.8 x 11.6 x 24	8	●	●	●					
HS-56HB	33056S	PREMIUM FEATHER SERVO	1.0 / 1.2	0.12 / 0.10	TOP BB	KARBONITE	22.6 x 11.6 x 24	10.7	●	●	●	●	●	●		
HS-65HB	33065S	MIGHTY KARBONITE FEATHER SERVO	1.8 / 2.2	0.14 / 0.11	TOP BB	KARBONITE	22.6 x 11.6 x 24	11.2	●	●	●	●	●	●		
HS-65MG	32065S	MIGHTY METAL GEAR FEATHER SERVO	1.8 / 2.2	0.14 / 0.11	TOP BB	METAL	22.6 x 11.6 x 24	11.9	●	●	●	●	●	●		
HS-81	31081S	STANDARD MICRO SERVO	2.6 / 3.0	0.11 / 0.09	NONE	NYLON	29.8 x 12 x 29.6	16.6	●	●	●	●	●	●		●
HS-82MG	32082S	STANDARD METAL GEAR MICRO SERVO	2.8 / 3.4	0.12 / 0.10	NONE	METAL	29.8 x 12 x 29.6	19	●	●	●	●	●	●		●
HS-85BB	31085S	PREMIUM MICRO SERVO	3.0 / 3.5	0.16 / 0.14	TOP BB	NYLON	29 x 13 x 30	19.2	●	●	●	●	●	●		●
HS-85MG	32085S	PREMIUM METAL GEAR MICRO SERVO	3.0 / 3.5	0.16 / 0.14	TOP BB	METAL	29 x 13 x 30	21.9	●	●	●	●	●	●		●
HS-125MG	32125S	SLIM METAL GEAR WING SERVO	3.0 / 3.5	0.17 / 0.13	DUAL BB	METAL	30 x 10 x 34	24	●	●	●	●				●
HS-225BB	31225S	MIGHTY MINI SERVO	3.9 / 4.8	0.14 / 0.11	TOP BB	NYLON	32.4 x 16.8 x 31	27	●	●	●	●	●	●		●
HS-225MG	32225S	METAL GEAR MIGHTY MINI SERVO	3.9 / 4.8	0.14 / 0.11	TOP BB	METAL	32.4 x 16.8 x 31	31	●	●	●	●	●	●		●
■ HS-40	31040S	ECONOMY NANO	0.6 / 0.75	0.12 / 0.96	NONE	NYLON	20 x 8.6 x 17	4.8	●	●	●					●
■ HS-53	31053S	ECONOMY FEATHER	1.2 / 1.5	0.16 / 0.13	NONE	NYLON	22.8 x 11.6 x 24.1	8	●	●	●					●
Standard Sport																
HS-758B	31075S	RETRACT SERVO	6.6 / 8.2	0.45 / 0.34	TOP BB	NYLON	44 x 23 x 25	35	●	●	●					●
HS-778B	31077S	LOW PROFILE SERVO	4.4 / 5.5	0.18 / 0.14	TOP BB	NYLON	44 x 23 x 25	35	●	●	●	●				●
HS-311	31311S	STANDARD ECONOMY SERVO	3.0 / 3.5	0.19 / 0.15	NONE	NYLON	40 x 20 x 36.5	43	●	●	●	●	●	●		●
HS-322HD	33322S	STANDARD HEAVY DUTY SERVO	3.0 / 3.7	0.19 / 0.15	NYLON	KARBONITE	40 x 20 x 36.5	43	●	●	●	●	●	●		●
HS-325HB	33325S	STANDARD BALL BEARING SERVO	3.0 / 3.7	0.19 / 0.15	TOP BB	KARBONITE	40 x 20 x 36.5	43	●	●	●	●	●	●		●
HS-425BB	31425S	DELUXE BALL BEARING SERVO	3.3 / 4.1	0.21 / 0.16	DUAL BB	NYLON	40.6 x 19.8 x 36.6	45.5	●	●	●	●	●	●		●
HS-422	31422S	DELUXE STANDARD SERVO	3.3 / 4.1	0.21 / 0.16	DUAL OLLITE	NYLON	40.6 x 19.8 x 36.6	45.5	●	●	●	●	●	●		●
HS-485HB	33485S	DELUXE HD BALL BEARING SERVO	4.8 / 6.0	0.22 / 0.18	TOP BB	KARBONITE	39.8 x 19.8 x 38	45	●	●	●	●	●	●		●
HS-4308B	31430S	HV DELUXE BALL BEARING SERVO	4.1 / 5.0	0.16 / 0.14	TOP BB	NYLON	40.6 x 19.8 x 36.6	45.5	●	●	●	●	●	●		●
Premium Sport																
HS-625MG	32625S	HIGH SPEED METAL GEAR SERVO	5.5 / 6.8	0.18 / 0.15	DUAL BB	METAL	39.8 x 19.8 x 36	55.2	●	●	●	●	●	●		●
HS-635HB	33635S	KARBONITE HIGH TORQUE SERVO	5.0 / 6.0	0.18 / 0.15	DUAL BB	KARBONITE	40.6 x 19.8 x 38.8	50	●	●	●	●	●	●		●
HS-645MG	32645S	HIGH TORQUE METAL GEAR SERVO	7.7 / 9.6	0.24 / 0.20	DUAL BB	METAL	40.6 x 19.8 x 37.3	55.2	●	●	●	●	●	●		●
HS-965MG	32965S	HIGH SPEED CORELESS METAL GEAR SERVO	7.4 / 9.5	0.13 / 0.10	DUAL BB	METAL	40 x 20 x 37	62	●	●	●	●	●	●		●
HS-985MG	32985S	HIGH TORQUE CORELESS METAL GEAR SERVO	9.6 / 12.4	0.16 / 0.13	DUAL BB	METAL	40 x 20 x 37	62	●	●	●	●	●	●		●
Giant Scale																
HS-755HB	33755S	KARBONITE GIANT SCALE SERVO	11.0 / 13.2	0.28 / 0.23	DUAL BB	KARBONITE	59 x 29 x 50	110	●	●	●	●				●
HS-755MG	32755S	METAL GEAR GIANT SCALE SERVO	12.0 / 14.4	0.28 / 0.23	DUAL BB	METAL	59 x 29 x 50	117	●	●	●	●				●
HS-805BB	31805S	MEGA GIANT SCALE SERVO	19.8 / 24.7	0.19 / 0.14	DUAL BB	NYLON	66 x 30 x 57.6	152	●	●	●	●				●
HS-805MG	32805S	MEGA METAL GEAR SERVO	19.8 / 24.7	0.19 / 0.14	DUAL BB	METAL	66 x 30 x 57.6	157	●	●	●	●				●
Waterproof																
HS-646WP	32646S	ANALOG WATERPROOF SERVO	9.6 / 11.6	0.26 / 0.22	DUAL BB	METAL	41.8 x 21 x 40	61	●	●	●	●	●	●		●
Boat																
HS-765HB	33765S	SAIL CONTROL SERVO	11.0 / 13.2	0.28 / 0.23	DUAL BB	KARBONITE	59 x 29 x 50	110				●				●
HS-785HB	33785S	3.5 TURN WINCH SERVO	11.0 / 13.2	1.68 / 1.38(360°)	DUAL BB	KARBONITE	59 x 29 x 50	110				●				●
HS-815BB	31815S	MEGA SAIL SERVO	19.8 / 24.7	0.19 / 0.14	DUAL BB	NYLON	66 x 30 x 57.6	152				●				●

Analog

	MODEL	PART #	DESCRIPTION	6.0 7.4V Kg/Cm	6.0 7.4V SEC.	BEARING	GEAR TYPE	SIZE L x W x H	WEIGHT g							
BLDC	Power Miser Brushless															
	■	HSB-9360TH	39360	BLDC ULTRA SPEED	17 / 17	0.08 / 0.06	DUAL BB	TITANIUM	40 x 20 x 38	68	●	●	●	●	●	●
	■	HSB-9370TH	39370	BLDC MULTI-PURPOSE	25 / 25	0.12 / 0.10	DUAL BB	TITANIUM	40 x 20 x 38	68	●	●	●	●	●	●
	■	HSB-9380TH	39380	BLDC ULTRA TORQUE	34 / 34	0.18 / 0.14	DUAL BB	TITANIUM	40 x 20 x 38	68	●	●	●	●	●	●
	■	HSB-9465SH	39465	BLDC HIGH SPEED	13.5 / 13.5	0.09 / 0.07	DUAL BB	STEEL	40 x 20 x 37	62	●	●	●	●	●	●
	■	HSB-9475SH	39475	BLDC MULTI-PURPOSE	19.4 / 19.4	0.13 / 0.1	DUAL BB	STEEL	40 x 20 x 37	62	●	●	●	●	●	●
	■	HSB-9485SH	39485	BLDC HIGH TORQUE	26.0 / 26.0	0.18 / 0.15	DUAL BB	STEEL	40 x 20 x 37	62	●	●	●	●	●	●
HV Programmable Digital	HV Digital Micro & Mini															
		HS-5087MH	35087S	METAL GEAR MICRO HV DIGITAL SERVO	3.6 / 4.3	0.17 / 0.13	TOP BB	METAL	29 X 13 X 30	21.9	●	●	●	●	●	●
	HV Digital Standard															
		HS-5496MH	35496S	METAL GEAR STANDARD HV DIGITAL SERVO	6.4 / 7.5	0.17 / 0.15	TOP BB	METAL	39.8 X 19.8 X 37.8	52.1	●	●	●	●	●	●
		HS-5495BH	35495S	STANDARD KARBONITE HV DIGITAL SERVO	6.4 / 7.5	0.17 / 0.15	TOP BB	METAL	39.8 X 19.8 X 37.8	22.1	●	●	●	●	●	●
		HS-5565MH	35565S	HIGH SPEED STANDARD CORELESS HV DIGITAL SERVO	11.0 / 14.0	0.17 / 0.14	DUAL BB	METAL	39.8 X 19.8 X 38	59	●	●	●	●	●	●
		HS-5585MH	35585S	HIGH TORQUE STANDARD CORELESS HV DIGITAL SERVO	15.0 / 20.0	0.17 / 0.14	DUAL BB	METAL	39.8 X 19.8 X 38	59	●	●	●	●	●	●
		HS-5665MH	35665S	HIGH SPEED METAL GEAR HV DIGITAL SERVO	8.8 / 10.0	0.16 / 0.14	DUAL BB	METAL	40.6 X 19.8 X 37.8	60	●	●	●	●	●	●
		HS-5685MH	35685S	HIGH TORQUE METAL GEAR HV DIGITAL SERVO	11.3 / 12.8	0.20 / 0.18	DUAL BB	METAL	40.6 X 20.3 X 38	59.5	●	●	●	●	●	●
	HV Digital Premium Sport															
		HS-7255MH	37255S	HIGH SPEED CORELESS HV DIGITAL MINI SERVO	3.6 / 4.4	0.9 / 0.8	DUAL BB	METAL	32.4 X 16.8 X 32.8	34	●	●	●	●	●	●
		HS-7245MH	37245S	HIGH TORQUE CORELESS HV DIGITAL MINI SERVO	5.2 / 6.4	0.13 / 0.11	DUAL BB	METAL	32.5 X 16.7 X 32.7	34	●	●	●	●	●	●
	HV Digital Giant Scale															
		HS-5765MH	35765S	ULTRA TORQUE MEGA SCALE HV DIGITAL SERVO	20.0 / 25.0	0.16 / 0.13	TRIPLE BB	METAL	59 X 29 X 52	172	●	●	●	●	●	●
	HV Ultra Premium Digital															
		HS-7145SH	37145S	SUPER SLIM HV STEEL GEAR WING SERVO	4.5 / 5.5	0.17 / 0.14	DUAL BB	STEEL	30 X 10 X 37	24	●	●	●	●	●	●
		HS-7115TH	37115S	ULTRA SLIM HV TITANIUM GEAR WING SERVO	3.2 / 3.6	0.12 / 0.10	DUAL BB	TITANIUM	26.0 X 8.0 X 38.0	20	●	●	●	●	●	●
		HS-7940TH	37940S	HIGH SPEED HV CORELESS TITANIUM GEAR SERVO	13.0 / 16	0.07 / 0.06	DUAL BB	TITANIUM	40 x 20 x 38	68	●	●	●	●	●	●
		HS-7945TH	37945S	MULTI-PURPOSE DIGITAL SERVO	18.0 / 23.0	0.12 / 0.10	DUAL BB	TITANIUM	40 x 20 x 38	65	●	●	●	●	●	●
		HS-7950TH	37950S	ULTRA TORQUE HV CORELESS TITANIUM GEAR SERVO	29.0 / 35.0	0.15 / 0.13	DUAL BB	TITANIUM	40 x 20 x 38	68	●	●	●	●	●	●
	HS-7954SH	37954S	HIGH TORQUE HV CORELESS STEEL GEAR SERVO	24.0 / 29.0	0.15 / 0.12	DUAL BB	STEEL	40 x 20 x 37	68	●	●	●	●	●	●	
	HS-7980TH	37980S	MEGA TORQUE HV CORELESS TITANIUM GEAR SERVO	36.0 / 44.0	0.21 / 0.17	DUAL BB	TITANIUM	43.8 x 22.4 x 40.0	78.2	●	●	●	●	●	●	
	HS-M7990TH	37990S	MEGA TORQUE HV MAGNETIC ENCODER SERVO	36.0 / 44.0	0.21 / 0.17	DUAL BB	TITANIUM	43.8 x 22.4 x 40.0	79.0	●	●	●	●	●	●	
High Response	HV High Response															
	■	HS-8360TH	38360	HIGH RESPONSE ULTRA SPEED	13.5 / 16.5	0.08 / 0.07	DUAL BB	TITANIUM	40 x 20 x 38	68	●	●	●	●	●	●
	■	HS-8370TH	38370	HIGH RESPONSE MULTI-PURPOSE	18.0 / 23.0	0.12 / 0.10	DUAL BB	TITANIUM	40 x 20 x 38	68	●	●	●	●	●	●
	■	HS-8380TH	38380	HIGH RESPONSE ULTRA TORQUE	29.0 / 35.0	0.17 / 0.14	DUAL BB	TITANIUM	40 x 20 x 38	68	●	●	●	●	●	●
	■	HS-8361TH	38361	HIGH RESPONSE ULTRA SPEED	13.5 / 16.5	0.08 / 0.07	DUAL BB	TITANIUM	40 x 20 x 38	78	●	●	●	●	●	●
	■	HS-8381TH	38381	HIGH RESPONSE ULTRA TORQUE	29.0 / 35.0	0.17 / 0.14	DUAL BB	TITANIUM	40 x 20 x 38	78	●	●	●	●	●	●
	■	HS-8330SH	38330	HIGH RESPONSE SUPER SPEED	13.5 / 16.5	0.08 / 0.07	DUAL BB	STEEL	40 x 20 x 37	66	●	●	●	●	●	●
	■	HS-8335SH	38335	HIGH RESPONSE MIGHTY TORQUE	18.5 / 24.0	0.16 / 0.13	DUAL BB	STEEL	40 x 20 x 37	64	●	●	●	●	●	●
	■	HS-8385TH	38385	GIANT SCALE AIRPLANE SERVO	29.0 / 35.0	0.17 / 0.14	DUAL BB	TITANIUM	40 x 20 x 38	68	●	●	●	●	●	●
	Heli Rudder															
■	HSG-8315BH	38315	HIGH RESPONSE HELI RUDDER	4.3 / 5.3	0.05 / 0.04	DUAL BB	KARBONITE	40 x 20 x 38	60		●					
Low Profiled																
■	HS-8775MG	38775	HIGH RESPONSE LOW PROFILED	7.2 / 9.0	0.12 / 0.10	DUAL BB	METAL	40.4 x 21 x 25.4	45	●						
HV GIANT	HV GIANT															
	■	HS-900SGS	34900	GIANT SPEED	65.0 / 87.0	0.2 / 0.15	DUAL BB	STEEL	64 x 33 x 73	363	●		●	●	●	●
	■	HS-1000SGT	34100	GIANT TORQUE	84.0 / 110.0	0.26 / 0.19	DUAL BB	STEEL	64 x 33 x 73	363	●		●	●	●	●
RUDDER TRAY																
■	HS-7956SHR	37956	RUDDER TRAY SERVO	20.0 / 24.5	0.15 / 0.12	DUAL BB	STEEL	40 x 20 x 37	92	●						

HS-8360TH

HS : Hitec Servo
 HSB : Hitec Servo Brushless
 HSG : Hitec Servo Gyro

BB : Ball Bearing(s)
 HB : Karbonite Gear w/ Ball Bearing
 TH : Titanium Gear + High Voltage
 SHR : Steel Gear + High Voltage + Rudder Tray Servo
 SGS : Steel Gear + Giant Servo + Speed

MG : Metal Gear
 HD : Karbonite Gear

TG : Titanium Gear
 BH : Ball Bearing
 SH : Steel Gear + High Voltage
 SGT : Steel Gear + Giant servo + Torque



Hitec Servo History - Servo Technology Achievements

Since Hitec's entry into the Servo manufacturing marketplace in 1983, we are proud to have introduced many significant technological innovations in servo development.

NEW TECHNOLOGY



Magnetic Encoder Digital Servo Technology

The magnetic encoder replaces the conventional mechanical potentiometer to provide better linearity and longevity with less electric noise and interference. Our HS-M7990TH is the industry's first servo to utilize this patent pending magnetic encoder technology.



Metal-Plastic-Duralumin (MPD) 1st Gear

The Metal-Plastic-Duralumin 1st gear has been designed to strengthen the 1st gear's durability by applying Super Strong Duralumin. The plastic within also prevents inadvertent electrical contact with your aircraft and its hardware.



7.4 Volt High Voltage Digital Servos

With specially designed coreless motors and cutting edge G2 circuitry, our 2-cell LiPo battery-compatible, high voltage servos are ready for your next demanding project. From the most powerful HS-7950TH to the economical HS-5665MH, Hitec's high voltage servos deliver outstanding performance for all your RC applications.



Hitec Waterproof Servo Technology

We are proud to introduce yet another revolutionary achievement from Hitec, our patent pending waterproof servo technology. Our engineers invented this unique waterproof design to improve the performance of your next underwater project. All Hitec's WP (waterproof) servos come with an IP-67 certified rating.



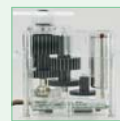
G2 The Second Generation Premium Digital Servos

The G2 line of premium digital servos feature twice the resolution of our original digital servos and a programmable overload setting.



New Aluminum Heat Sinks

All electronic products are degraded by heat. Heat robs power from motors and lowers the efficiency of electronic components. To counter the heat created by today's powerful servo motors, Hitec has incorporated heat sinks into the cases of several premium digital servos.



Advance Gear Train Technology

AGTT is Hitec's patented gear train technology that inverts the motor and uses extra thick gears to create the most durable gear train ever offered in a micro servo.



H25T

Hitec all new servo series adopt 25-Tooth industry standard output spline and 3mm head screw for better performance and better convenience.



The High Response & High Resolution Digital Servos

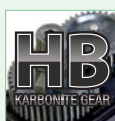
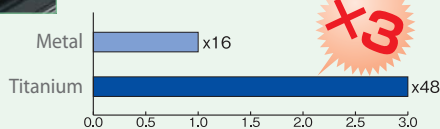
The HR line of Premium Digital servos feature rapid-fire response and highest resolution. These HR line is ideal for Pilot/Driver who want to have precision movement. None Programmable

GEAR TECHNOLOGY



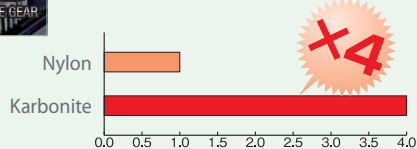
Titanium gears

Favored by the military for its superior strength and durability Hitec is the only manufacturer to bring Titanium geared servos to the Hobby market.



Karbonite Gears

Zero wear and high strength, 4 times stronger than white resin gears.



MK Super Gear

How do you improve on the best? We made a Karbonite version of our MP gear for maximum wear resistance and strength.



Unbreakable MP Gear

Hitec's hybrid "metal/plastic" gear is the key to our unbreakable gear trains.

OTHER TECHNOLOGY



HFP-25 Hitec Digital Servo Programmer

Used to program 9 different settings on Hitec's digital servos and perform tests on other servos and transmitters.



Programmable Digital servo

Hitec remains the leader in programmable servo technology by offering more programmable digital servos than any other manufacturer.



Twisted Wire Servo Leads

Twisted wire leads were added to many of the Hitec servos in 2002 in an effort to prevent RF noise from long servo leads feeding back into the servo causing unnecessary servo "jitters".



Heavy Duty Servo Wire Leads

High power digital and analog servos need plenty of current to deliver massive power. Recognizing this, Hitec increased the size of the wires from 22 to 24 gauge to provide the power these servos need to perform at the highest level.

Servo Connectors & Heavy Duty Wire

Our World

Hitec Multiplex Mission Statement

Hitec Multiplex are dedicated to providing quality, affordable Radio Control hobby products everyone can enjoy. We will serve our customers in the same loving way we serve our families and together we shall create a higher quality of life.

MULTIPLEX
GERMANY (Bretten)

HITEC
KOREA (Ochang)

HITEC
CHINA (Zhuhai)

HITEC
JAPAN (Tokyo)

HITEC
PHILIPPINES (Cavite)

HITEC
U.S.A (San Diego)

HITEC



Hitec RCD Korea, Inc.
Ochang, Cheongwon-gun,
Chungcheongbuk-do, Korea
Int'l Headquarter, R&D Center
<http://www.hitecrd.co.kr>



Hitec-Multiplex Japan, Inc.
1-30-10 1F, Nishi-Koiwa,
Edogawa-ku, Tokyo, Japan
Sales Headquarter for Japan
<http://www.hitecrd.co.jp>



Hitec RCD USA, Inc.
#12115 Paine Street. Poway,
CA. 92064, U.S.A.
Sales Headquarter for
North & South America
<http://www.hitecrd.com>



Hitec RCD Philippines, Inc.
Lot 6 & 8, Block 24,
Phase 4 Peza,
Rosario, Cavite, Philippines
Production & Logistics Center



Multiplex Modell Sport GmbH & Co.KG
Westliche Gewerbestr. 1,
D-75015 Bretten-Golshausen, Germany
Sales Headquarter for European market
Production and R&D Center
<http://www.hitecrd.de>
<http://www.multiplex-rc.de>



Hitec-Multiplex China, Inc.
3F of Hong Li Bldg #1,
24W Jinfeng Rd,
Jinding Industrial Park,
Tangjia, Zhuhai, China
www.hitecrd-china.com



2013

Hitec Product Catalog

Radios / Servos / Receivers / Telemetry Systems
Chargers / Airplane Models and Accessories

40th Anniversary

Hitec RCD Korea, Inc.
#653, Yangcheong-Ri, Ochang-Eup, Cheonwon-Gun, Chungcheongbuk-Do, Korea
PHONE : +82-43-717-2051~2056
FAX : +82-43-717-2190

The specifications and designs are subject to be changed without
prior notice for further improvement.

2013 Hitec Product Catalog World Version 1.

Distributed by

Please contact your local hobby shop for more information.